

SERVICE MANUAL



**WKGD2 WITH ROAST & HOLD
SHOWN**

WKG SERIES FULL SIZE GAS CONVECTION OVENS

MODEL	ML
WKG	126620
WKGD	126621
WKGC	126622
WKGX	126623
WKGD _X	126624
WKG _{CX}	126625

- NOTICE -

This Manual is prepared for the use of trained Wolf Range Service Technicians and should not be used by those not properly qualified. If you have attended a Wolf Range Service School for this product, you may be qualified to perform all the procedures described in this manual.

This manual is not intended to be all encompassing. If you have not attended a Wolf Range Service School for this product, you should read, in its entirety, the repair procedure you wish to perform to determine if you have the necessary tools, instruments and skills required to perform the procedure. Procedures for which you do not have the necessary tools, instruments and skills should be performed by a trained Vulcan Service Technician.

Reproduction or other use of this Manual, without the express written consent of Wolf Range, is prohibited.

For additional information on Wolf Range or to locate an authorized parts and service provider in your area, visit our website at www.wolfrange.com.

TABLE OF CONTENTS

GENERAL	4
Introduction	4
Installation	4
Operation	4
Cleaning	4
Lubrication	4
Specifications	4
Tools	4
REMOVAL AND REPLACEMENT OF PARTS	5
Covers and Panels	5
Control Panel Components	6
Component Panel Components	7
Temperature Probe (WKGD/WKGDx)	8
Gas Burner	8
Gas Orifice	9
Gas Solenoid Valve	9
Ignition Control Module	10
Spark Igniter and Flame Sense	10
Blower and Motor	11
Oven Doors and Bearings (Independent Doors)	12
Oven Doors (Simultaneous Doors)	13
Door Catch Ball Assembly (Independent Doors)	14
Door Window	14
Door Switch	15
Mechanical Kx Thermostat (WKG/WKGX)	16
High Limit Thermostat	16
Interior Lights	16
Cooling Fan	17
SERVICE PROCEDURES AND ADJUSTMENTS	18
Solid State Temperature Control Calibration (WKGD/WKGDx)	18
Mechanical Thermostat Calibration (WKG/WKGX)	19
Solid State Temperature Control Test (WKGD/WKGDx)	19
Temperature Probe Test (WKGD/WKGDx)	20
Gas Pressure Adjustment	21
Verification of Spark at Ignitor	22
Door Switch Adjustment	22
Blower Adjustment	23
Door Adjustment	24
Door Catch Ball Adjustment (Independent Doors)	24
Door Chain Adjustment (Simultaneous Doors)	25

FULL SIZE GAS CONVECTION OVENS

Computer Control (WKGC/WKGCX) 26

Computer Control Calibration (WKGC/WKGCX) 27

ELECTRICAL OPERATION 28

 Component Function 28

 Component Location 30

 Sequence of Operation 35

 WKG, WKGX with Roast & Hold Option (Mechanical KX Thermostat) 35

 WKGD, WKGDY with Roast & Hold Option (Solid State Temperature Control) 39

 Oven Cool Cycle (Solid State Temperature Control) 43

 WKGC, WKGCX (Roast & Hold Standard on Computer Model) 44

 Oven Cool Cycle (Computer Control Model) 46

SCHEMATICS 47

 WKG, WKGX Mechanical (KX) Controls 47

 WKG, WKGX Mechanical (KX) Controls, Roast & Hold Option 48

 WKGD, WKGDY Solid State Temperature Control 49

 WKGD, WKGDY Solid State Temperature Control, Roast & Hold Option 50

 WKGC, WKGCX Computer Control (Roast & Hold Standard) 51

WIRING DIAGRAMS 52

 WKG, WKGX Mechanical (KX) Controls 52

 WKG, WKGX Mechanical (KX) Controls, Roast & Hold Option 54

 WKGD, WKGDY Solid State Temperature Control 56

 WKGD, WKGDY Solid State Temperature Control, Roast & Hold Option 58

 WKGC, WKGCX Computer Control (Roast & Hold Standard) 60

TROUBLESHOOTING 62

 All Models 62

 Computer Control Models Only 63

CONDENSED SPARE PARTS LIST 64

© Wolf Range 2006

GENERAL

INTRODUCTION

Procedures in this manual will apply to all models unless specified. Pictures and illustrations can be of any model unless the picture or illustration needs to be model specific.

Models

MODEL	FEATURES				OPTIONS		
	CAVITY DEPTH	TEMPERATURE CONTROL	DOORS (50/50)	NORMAL (ROAST) TIMER	NORMAL TIMER OR HOLD TIMER	ROAST & HOLD	BLOWER 208/240/60/1
WKG	26.5"	Mechanical (KX)	Independent ^{1, 2}	1-Hour Dial	5-Hour Dial	Optional	Optional
WKGX	30.5"	Mechanical (KX)	Independent ^{1, 2}	1-Hour Dial	5-Hour Dial	Optional	Optional
WKGD	26.5"	Solid State	Independent ^{1, 3}	1-Hour Dial	5-Hour Dial	Optional	Optional
WKGDx	30.5"	Solid State	Independent ^{1, 3}	1-Hour Dial	5-Hour Dial	Optional	Optional
WKGC	26.5"	Computer	Independent ^{1, 3}	24-Hour Digital	Built in	Built in	Optional
WKGCx	30.5"	Computer	Independent ^{1, 3}	24-Hour Digital	Built in	Built in	Optional

1. Simultaneous doors are optional (with or w/o window).
2. Stainless steel doors w/o window (standard).
3. Stainless steel doors with window (standard).

INSTALLATION

Refer to the Owner's Manual for detailed installation instructions on single or stacked ovens.

OPERATION

Refer to the Owner's Manual for specific operating instructions.

CLEANING

Refer to the Owner's Manual for specific cleaning instructions.

LUBRICATION

- Cavity blower motor has sealed bearings and requires no additional lubrication.
- Huskey's TF1000 grease or equivalent high temperature Teflon grease.

SPECIFICATIONS

Electrical

Voltage - 120/60/1
Amps - 9.0 Amps

Input BTU Rating

Natural Gas - 44,000 BTU input at 3.5 in. W.C.
Propane Gas - 44,000 BTU input at 10.0 in. W.C.

Gas Line Pressures

Natural - Recommend (in. W.C.) 7.0, Min 5.0
Propane - Recommend (in. W.C.) 11.0, Min 11.0
Maximum 14.0 in. W.C. (Nat. or Prop.)

TOOLS

Standard

- Standard set of hand tools.
- VOM with A.C. current tester (Any quality VOM with a sensitivity of at least 20,000 ohms per volt can be used).
- Gear Puller to remove blower

Special

- Temperature tester (thermocouple type).
- Manometer

REMOVAL AND REPLACEMENT OF PARTS

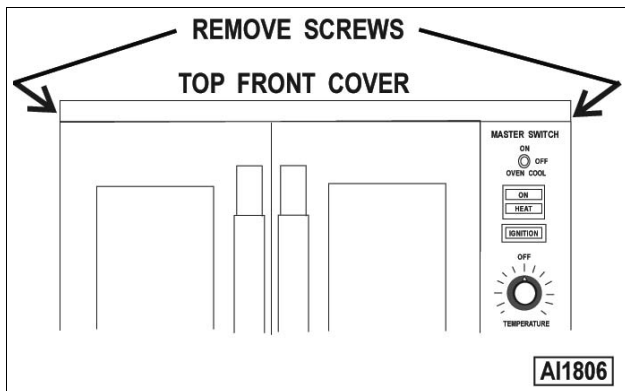
COVERS AND PANELS



WARNING: DISCONNECT THE ELECTRICAL POWER TO THE MACHINE AND FOLLOW LOCKOUT / TAGOUT PROCEDURES.

Top Front Cover

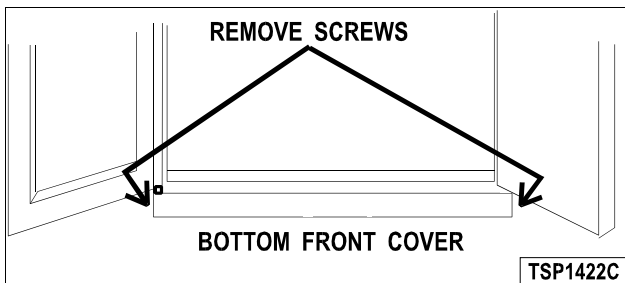
1. The top front cover is secured with four (4) screws, two on each side of cover. Remove these screws then remove the cover from the oven.



2. Reverse the procedure to install.

Bottom Front Cover

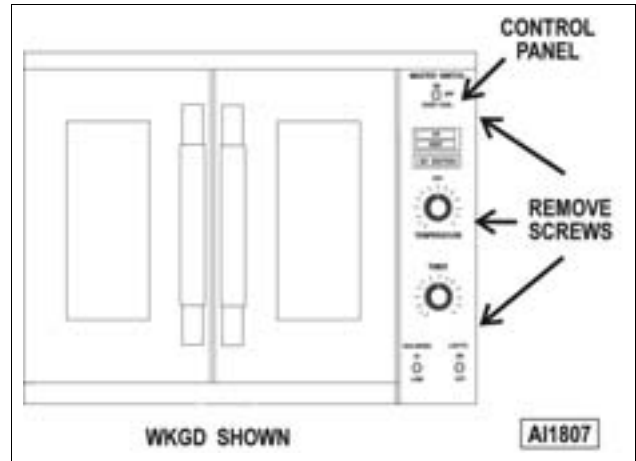
1. The bottom front cover is secured with four (4) screws, two on each side of cover. Remove these screws then remove the cover from the oven.



2. Reverse the procedure to install.

Control Panel

1. Remove three (3) screws on the right side which secure the control panel then pull the panel away from the oven.

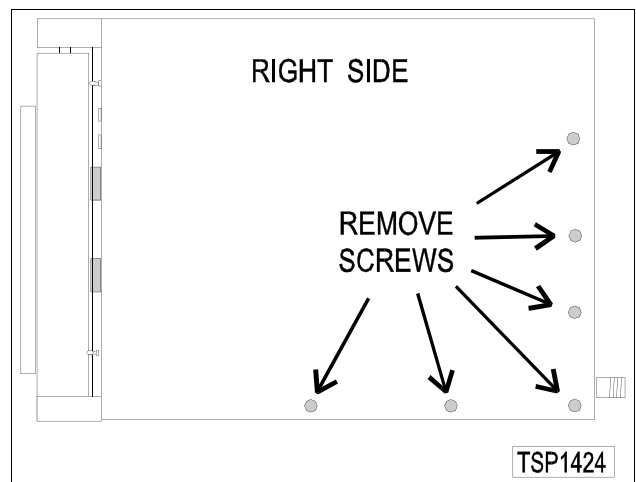


NOTE: If the oven has a mechanical (KX type) thermostat, it must be removed from the control panel first, before removing the control panel.

2. Disconnect the temperature probe leads from the solid state temperature control.
3. Unplug the wire harness connector to the control panel components.
4. Reverse the procedure to install.

Right Side Panel

1. Remove the screws which secure the right side of the top front cover, bottom front cover and control panel.
2. Remove the remaining six screws securing the right side panel.



3. Pull the right side panel out at the bottom then down to remove.
4. Reverse the procedure to install.

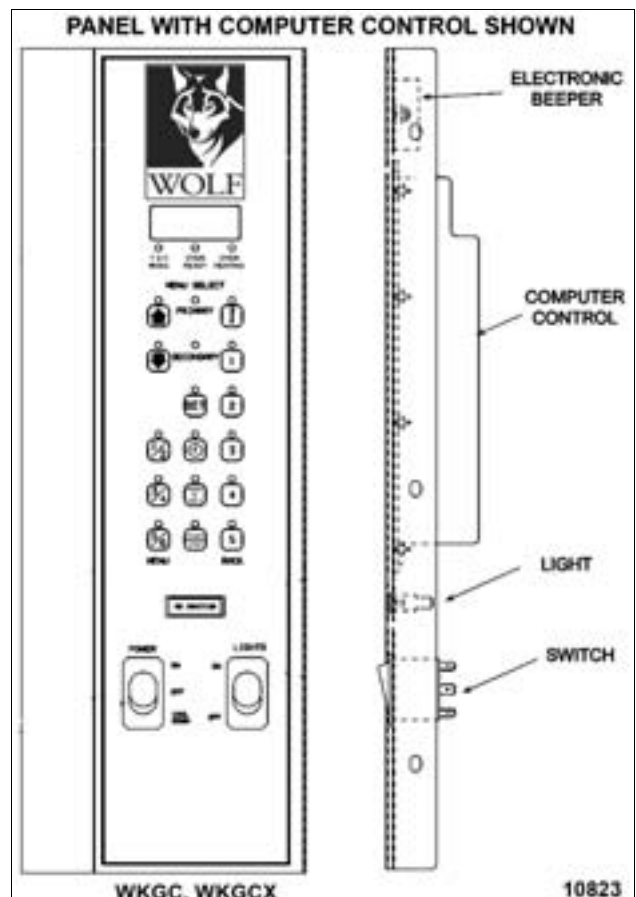
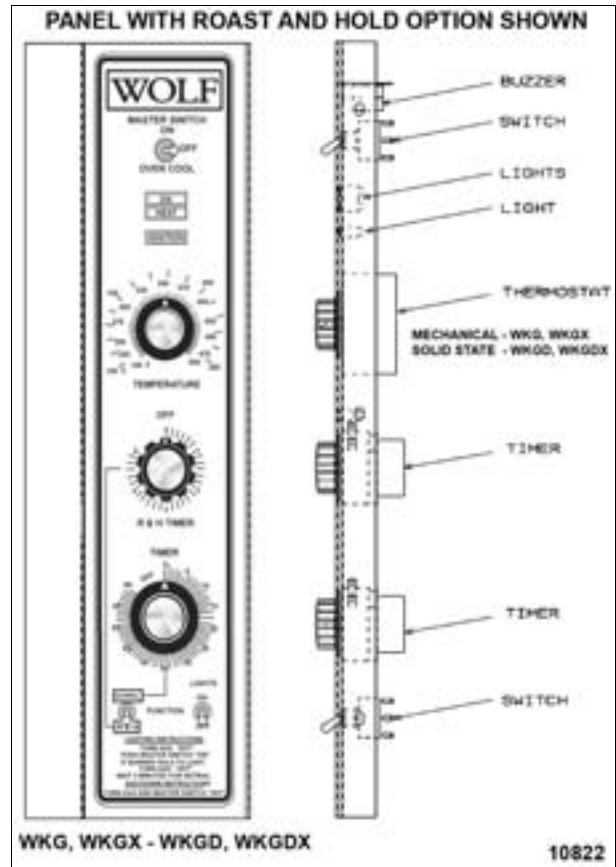
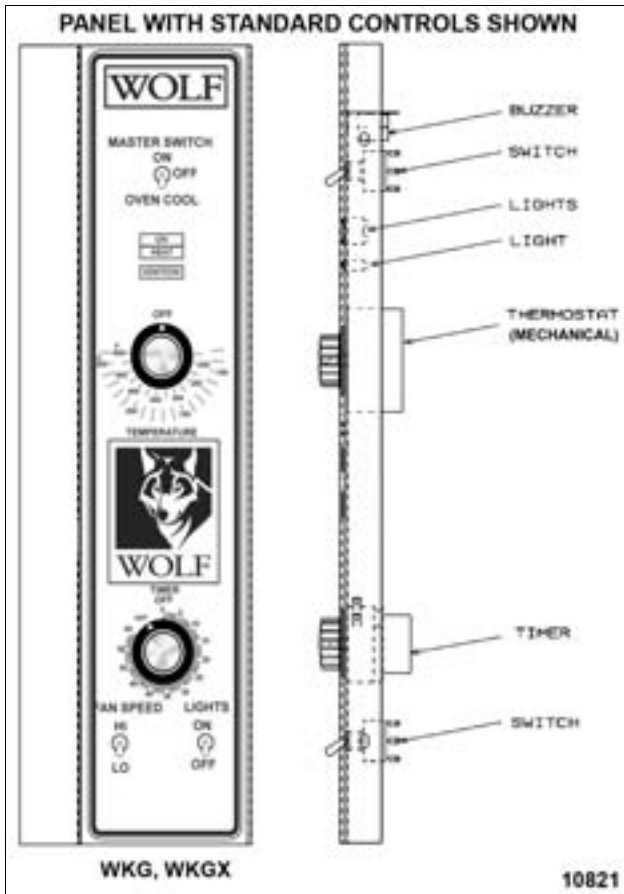
CONTROL PANEL COMPONENTS

Removable Components Procedure



WARNING: DISCONNECT THE ELECTRICAL POWER TO THE MACHINE AND FOLLOW LOCKOUT / TAGOUT PROCEDURES.

1. Remove the control panel as outlined under COVERS AND PANELS.
2. Remove the component being replaced.
3. Reverse the procedure to install the replacement component, then check oven for proper operation.



COMPONENT PANEL COMPONENTS

Removable Components Procedure

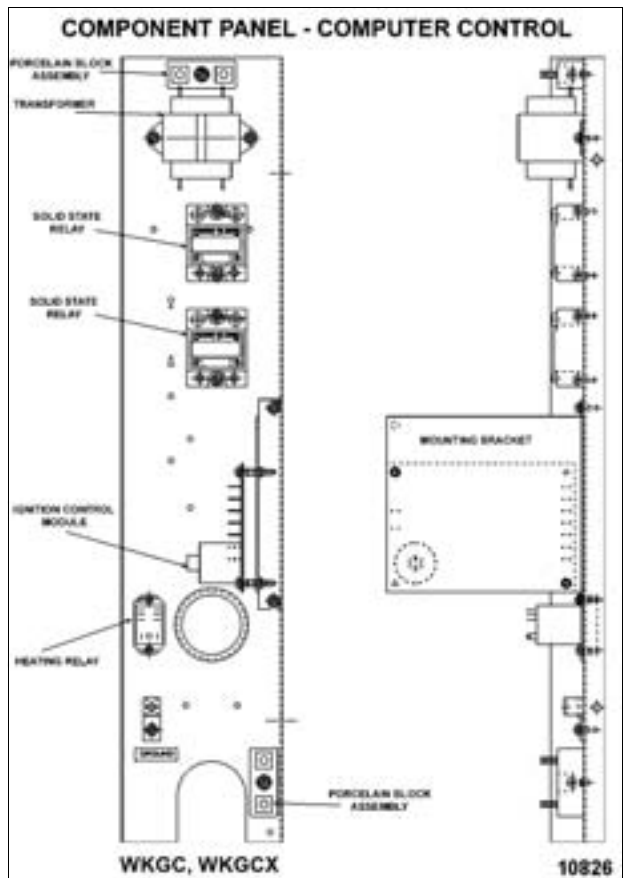
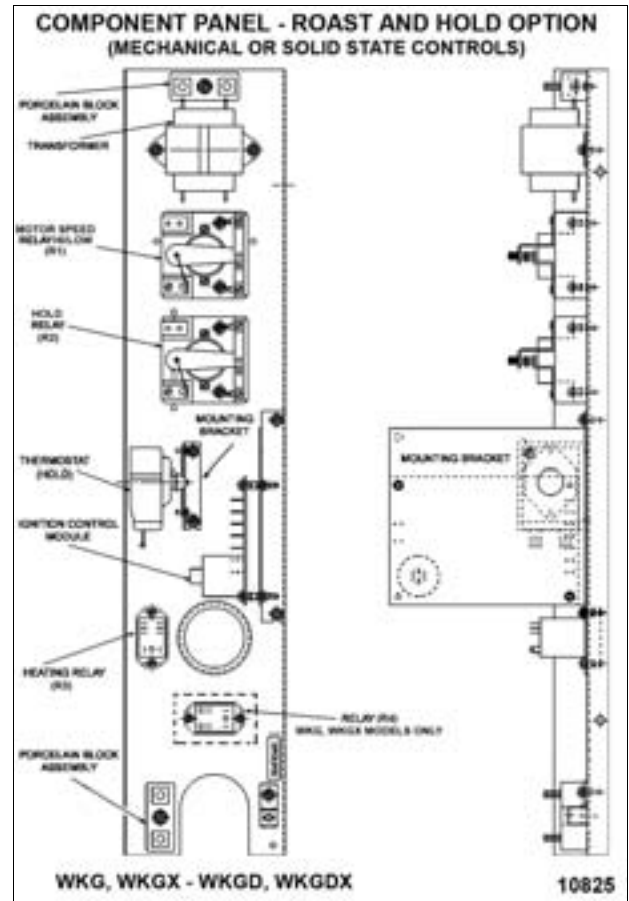
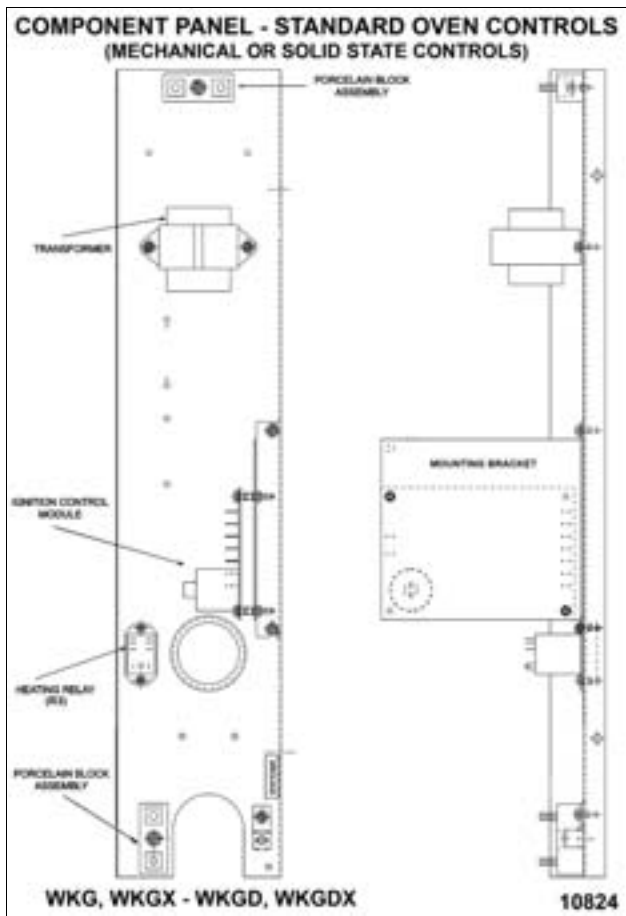


WARNING: DISCONNECT THE ELECTRICAL POWER TO THE MACHINE AND FOLLOW LOCKOUT / TAGOUT PROCEDURES.

1. Remove the right side panel as outlined under **COVERS AND PANELS**.

NOTE: If right side panel is not accessible, this component can be serviced by removing the control panel as outlined under **COVERS AND PANELS**.

2. Disconnect the wire leads to the component being replaced.
3. Remove the component.
4. Reverse the procedure to install the replacement component and check oven for proper operation.



TEMPERATURE PROBE (WKGD/WKGD)

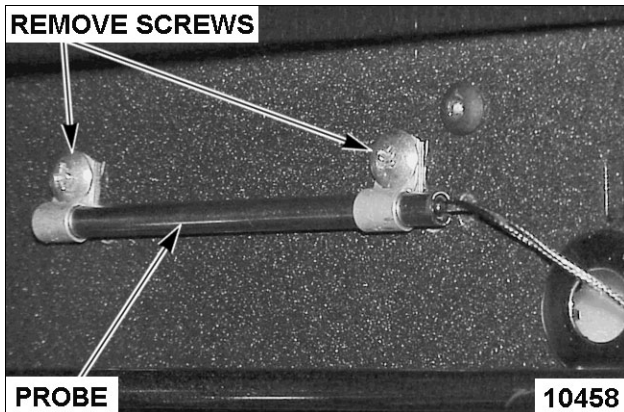


WARNING: DISCONNECT THE ELECTRICAL POWER TO THE MACHINE AND FOLLOW LOCKOUT / TAGOUT PROCEDURES.

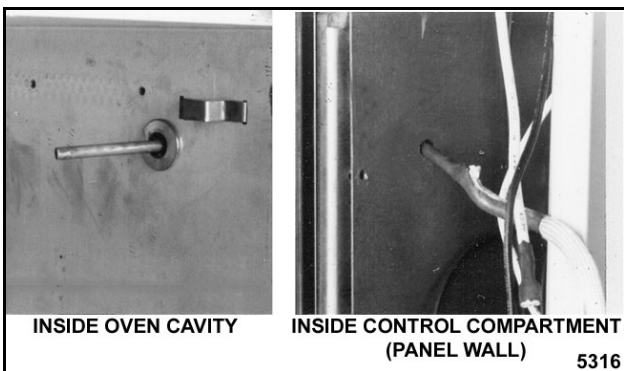
1. Remove the right side panel as outlined under COVERS AND PANELS.

NOTE: If right side panel is not accessible, this component can be serviced by removing the control panel as outlined under COVERS AND PANELS.

2. Disconnect the probe leads from the temperature control.
3. Remove the racks and right rack support.
4. Remove probe clips from probe.



5. Push the probe through the opening in cavity side wall and into the control panel area.



NOTE: The hole in the oven cavity wall does not line up straight with the oven cavity outer shell, therefore the probe must be removed at an angle.

6. Reverse the procedure to install the replacement probe.

7. Adjust the temperature control as outlined under SOLID STATE TEMPERATURE CONTROL CALIBRATION (WKGD/WKGD) in SERVICE PROCEDURES AND ADJUSTMENTS.

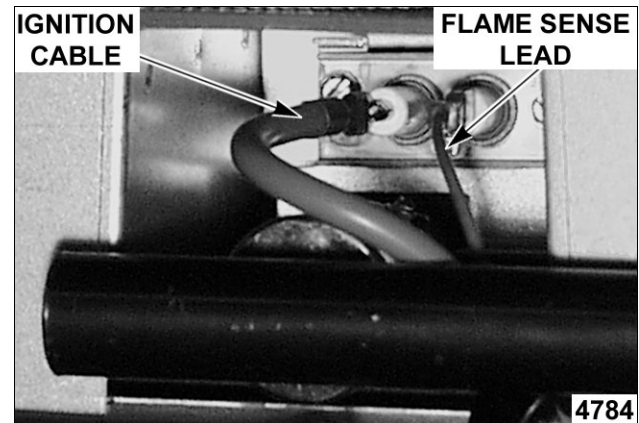
GAS BURNER



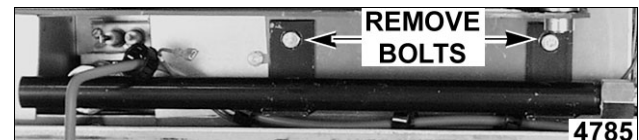
WARNING: DISCONNECT THE ELECTRICAL POWER TO THE MACHINE AND FOLLOW LOCKOUT / TAGOUT PROCEDURES.

WARNING: SHUT OFF THE GAS BEFORE SERVICING THE UNIT.

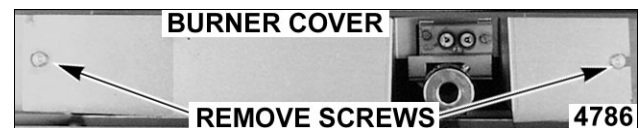
1. Remove the lower front cover as outlined under COVERS AND PANELS.
2. Disconnect the ignition cable and the flame sense lead wire.



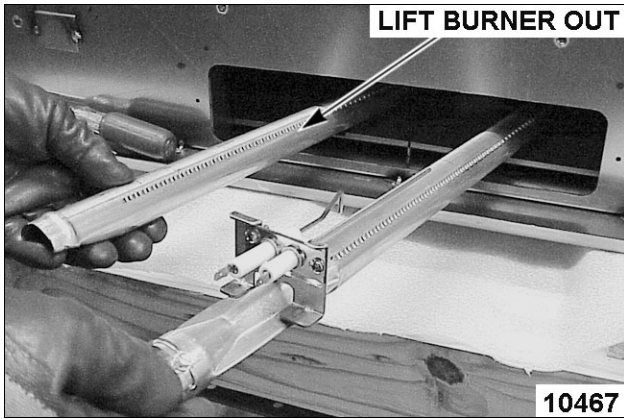
3. Remove the bolts securing the gas manifold and place manifold aside.



4. Remove the screws securing the burner cover then lift out.



5. Grasp the burner and lift out.



- Reverse procedure to install the replacement burner.

NOTE: Ensure that burner positioning bracket (U shaped end) is inserted into slot at the rear of the burner chamber.

- Check for proper operation.

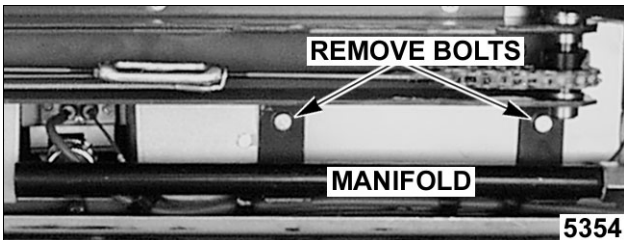
GAS ORIFICE



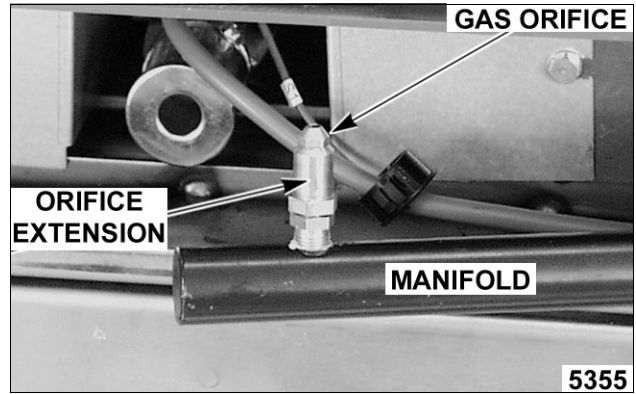
WARNING: DISCONNECT THE ELECTRICAL POWER TO THE MACHINE AND FOLLOW LOCKOUT / TAGOUT PROCEDURES.

WARNING: SHUT OFF THE GAS BEFORE SERVICING THE UNIT.

- Remove the bottom front cover as outlined under COVERS AND PANELS.
- Remove the bolts securing the gas manifold to the oven and place the manifold to the side.



- Remove the gas orifice from the spud on the manifold and replace with the correct orifice for the given altitude.



- Reverse procedure to install and check for proper operation.

GAS SOLENOID VALVE



WARNING: DISCONNECT THE ELECTRICAL POWER TO THE MACHINE AND FOLLOW LOCKOUT / TAGOUT PROCEDURES.

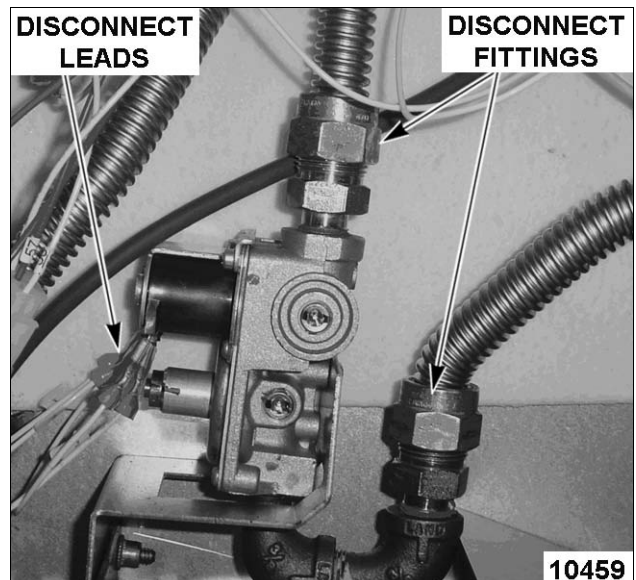
WARNING: SHUT OFF THE GAS BEFORE SERVICING THE UNIT.

WARNING: ALL GAS JOINTS DISTURBED DURING SERVICING MUST BE CHECKED FOR LEAKS. CHECK WITH A SOAP AND WATER SOLUTION (BUBBLES). DO NOT USE AN OPEN FLAME.

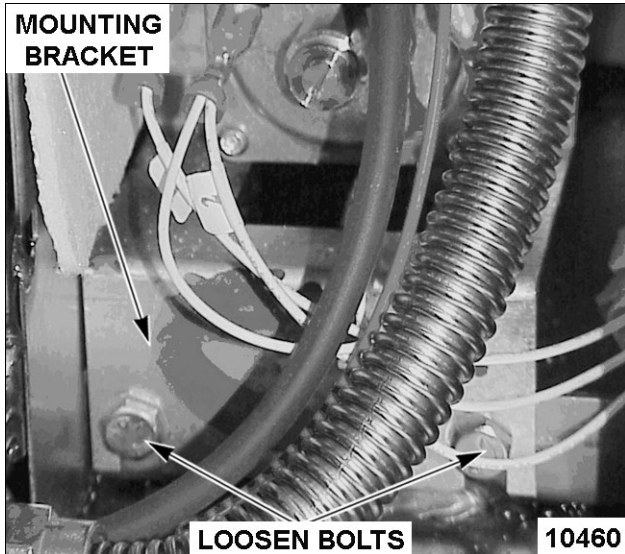
- Remove the control panel and the right side panel as outlined under COVERS AND PANELS.

NOTE: If right side panel is not accessible, this component can be serviced by removing the control panel as outlined under COVERS AND PANELS.

- Disconnect the lead wires.
- Disconnect the compression fittings to the valve.



- Loosen the bolts securing the valve and bracket assembly then remove the screws securing the valve to the bracket.



- Reverse the procedure to install the replacement gas valve.

NOTE: Clean the pipe threads and apply pipe joint compound to threads. Any pipe joint compound used, must be resistant to the action of propane gases.

- Verify gas pressure as outlined under GAS PRESSURE ADJUSTMENT in SERVICE PROCEDURES AND ADJUSTMENTS and check for proper operation.

IGNITION CONTROL MODULE



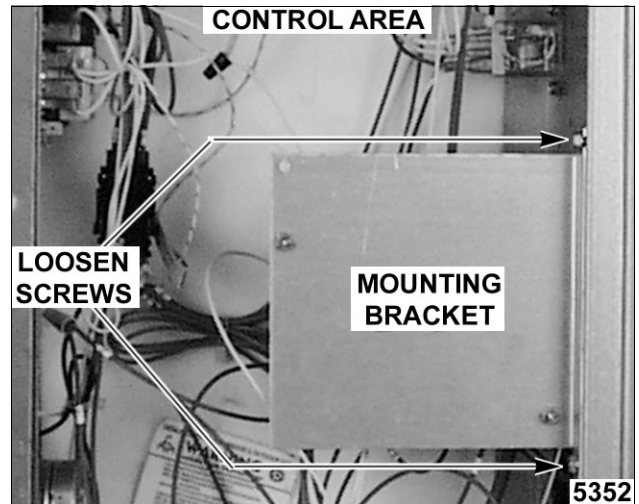
WARNING: DISCONNECT THE ELECTRICAL POWER TO THE MACHINE AND FOLLOW LOCKOUT / TAGOUT PROCEDURES.

WARNING: SHUT OFF THE GAS BEFORE SERVICING THE UNIT.

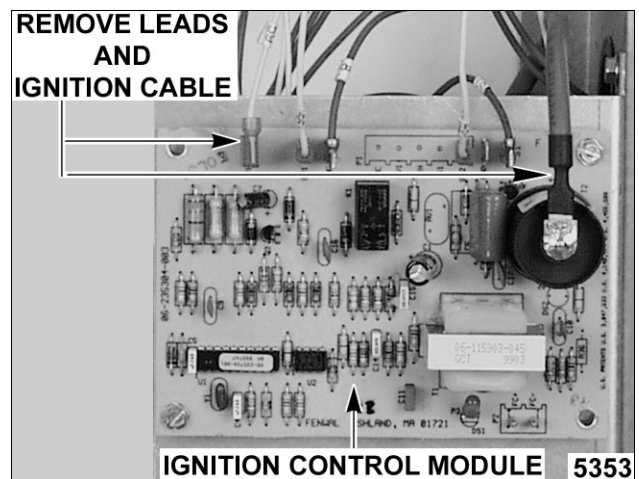
- Remove the right side panel as outlined under COVERS AND PANELS.

NOTE: If right side panel is not accessible, this component can be serviced by removing the control panel as outlined under COVERS AND PANELS.

- Loosen the screws securing the mounting bracket to the component panel and remove the bracket.



- Disconnect the lead wires and igniter cable from the ignition module board.



- Remove the ignition module board from the mounting bracket.
- Reverse the procedure to install the replacement ignition module board.

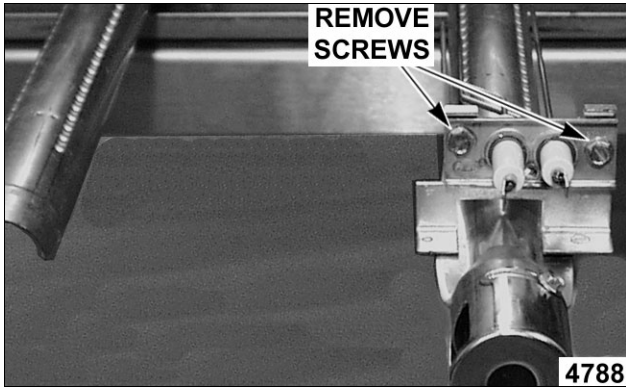
SPARK IGNITER AND FLAME SENSE



WARNING: DISCONNECT THE ELECTRICAL POWER TO THE MACHINE AND FOLLOW LOCKOUT / TAGOUT PROCEDURES.

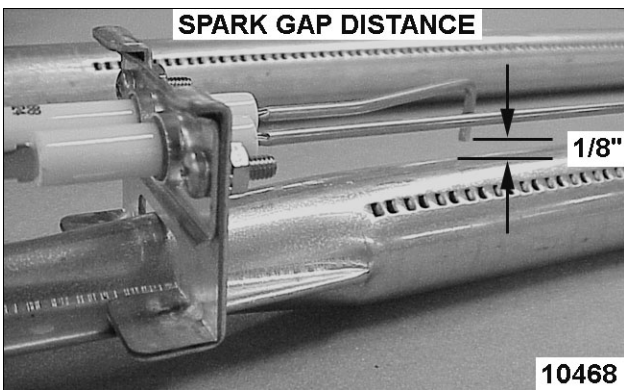
WARNING: SHUT OFF THE GAS BEFORE SERVICING THE UNIT.

- Remove the gas burner as outlined under GAS BURNER.
- Remove the screws securing the ignitor and flame sense to burner then remove the assembly.



3. Reverse the procedure to install the assembly and check for proper operation.

NOTE: Check to ensure the spark gap distance is approximately 1/8". If the gap appears to be excessive or poor sparking is occurring then adjust.



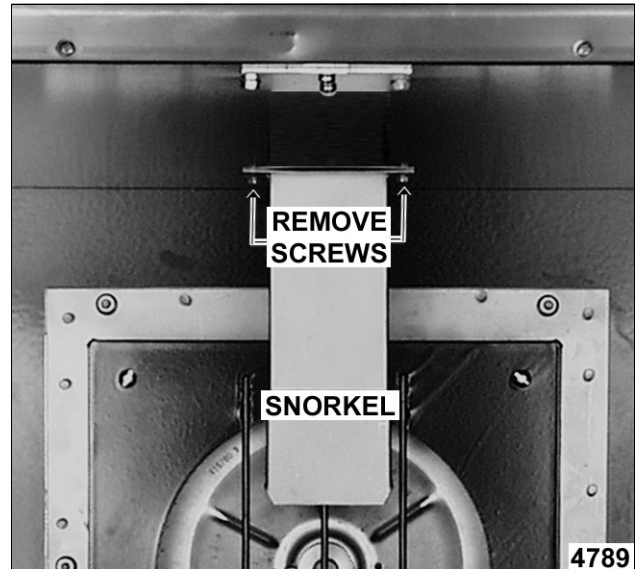
BLOWER AND MOTOR



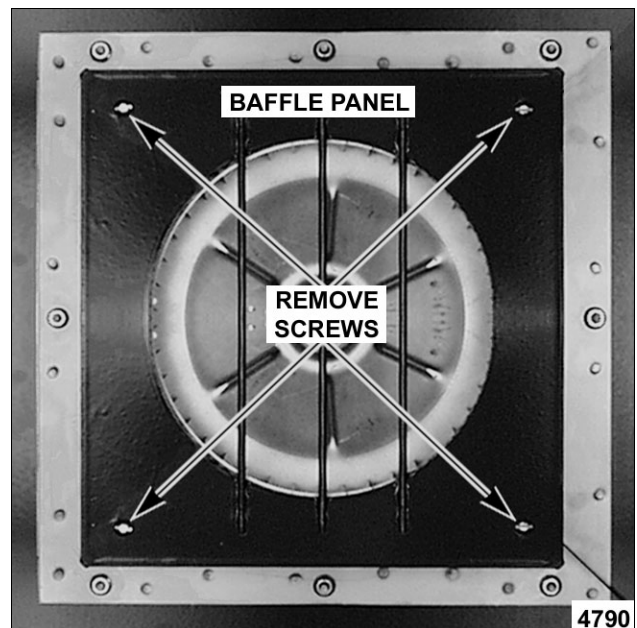
WARNING: DISCONNECT THE ELECTRICAL POWER TO THE MACHINE AND FOLLOW LOCKOUT / TAGOUT PROCEDURES.

WARNING: SHUT OFF THE GAS BEFORE SERVICING THE UNIT.

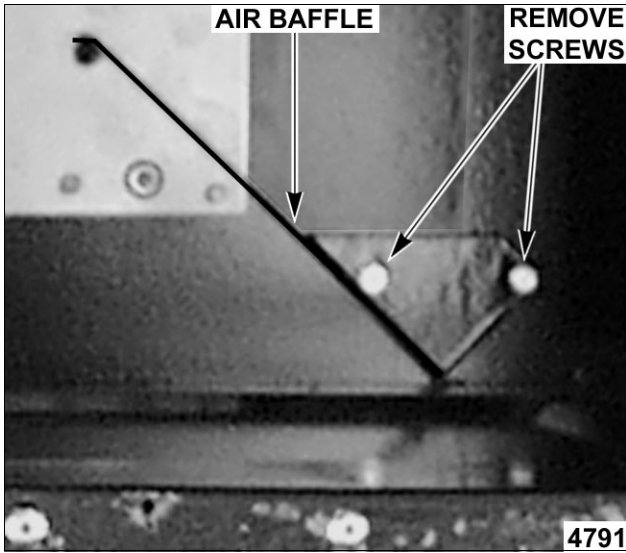
1. Take out the racks and rack supports.
2. Remove screws securing the SNORKEL and remove the snorkel.



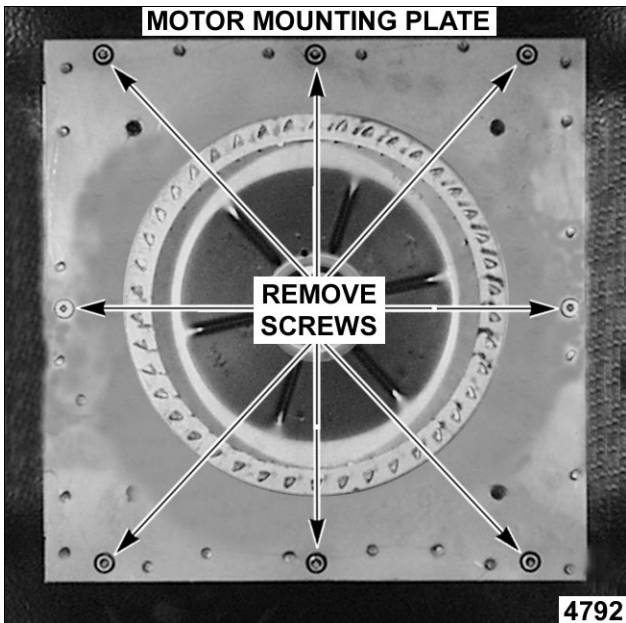
3. Remove screws securing baffle panel and remove the panel.



4. If replacing:
 - A. Blower Only - Loosen set screws on blower hub and using a bearing puller, remove blower from motor shaft.
 - 1) Reverse procedure to install and adjust blower position as outlined under BLOWER ADJUSTMENT in SERVICE PROCEDURES AND ADJUSTMENTS.
 - B. Motor - perform step 4A and continue procedure.
5. Remove the screws securing the air baffle to the rear wall at the lower right hand corner.

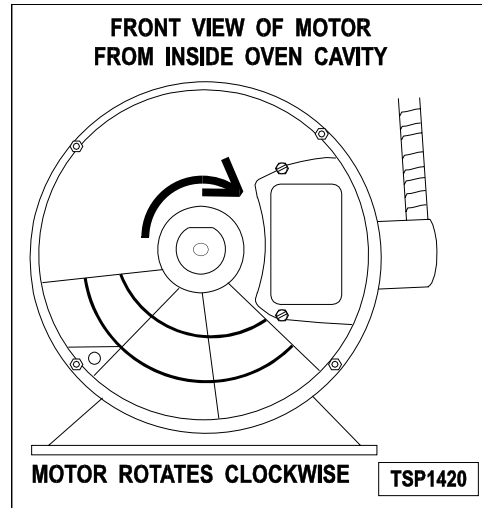


6. Remove the nuts that secure the motor mounting plate to the rear wall.



7. Place a piece of cardboard on the bottom of the oven cavity to protect its surface from any damage during motor assembly removal.
8. Pull the motor assembly into the oven cavity and place it on the cardboard.
9. Remove the junction box cover from the motor, disconnect lead wires and remove the conduit.
10. Remove motor mounting bolts and flat washers then lift the motor from the mounting plate.
11. Position the replacement motor on the motor mounting plate and install mounting bolts and washers. Hand tighten mounting bolts only.
12. Reconnect lead wires at the motor, replace conduit and junction box cover.

NOTE: Check data plate on motor for wiring schematic. The motor must rotate clockwise when viewed from the shaft end.



13. Slide blower onto motor shaft until hub is flush with end of shaft then tighten set screws.
14. Adjust motor position until blower is parallel to motor mounting plate as outlined under BLOWER ADJUSTMENT in SERVICE PROCEDURES AND ADJUSTMENTS.
15. Position motor mounting plate on the rear wall and secure with nuts and washers.
16. Replace the baffle panel and SNORKEL.
17. Replace the air baffle on the rear wall at the lower right hand corner.
18. Remove cardboard from the bottom of the oven cavity.
19. Install rack guides and racks.
20. Check oven for proper operation.

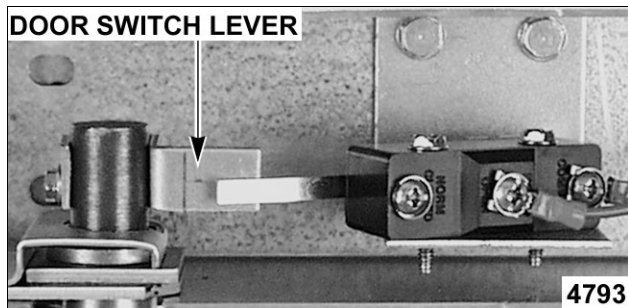
OVEN DOORS AND BEARINGS (INDEPENDENT DOORS)



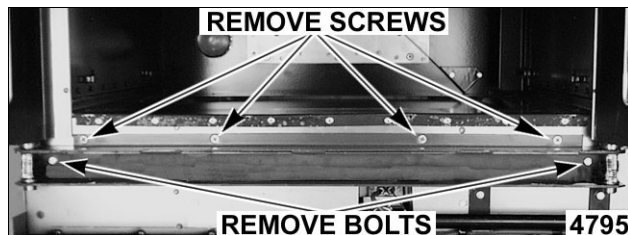
WARNING: DISCONNECT THE ELECTRICAL POWER TO THE MACHINE AND FOLLOW LOCKOUT / TAGOUT PROCEDURES.

1. Remove the top front cover and bottom front cover as outlined under COVERS AND PANELS.

- Remove the door switch lever.

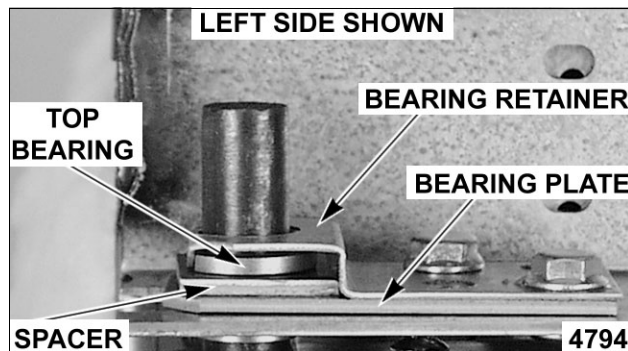


- Remove the lower door seal strip to expose the mounting screws of the door assembly.
- Remove the two (2) lower sill bolts by the lower door shaft and the four (4) counter-sunk screws from the lower sill.



NOTE: The door assembly is heavy and will drop down once the last screw is removed. If removing door assembly with-out assistance, the ignition cable, flame sense lead and gas manifold should also be removed to avoid damage to these components.

- Tilt the top of the door slightly forward and lift the door up until the bottom of the door shaft clears the opening in the sill.
- Lay the door flat to prevent damage.
- The top and bottom bearings are now accessible for inspection and/or replacement if needed.
 - If bearings are ok, proceed to step 8.
 - If replacing the top bearing, remove the top bearing retainer and top bearing.



- If replacing the bottom bearing, remove it from the door shaft or the lower sill opening.

- Reverse procedure to install door assembly and check for proper adjustment as outlined under DOOR ADJUSTMENT and DOOR SWITCH ADJUSTMENT in SERVICE PROCEDURES AND ADJUSTMENTS.

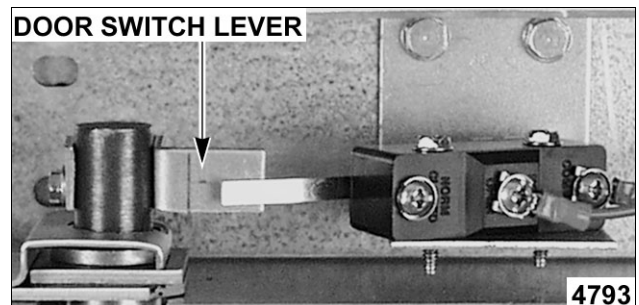
OVEN DOORS (SIMULTANEOUS DOORS)

Assembly Removal

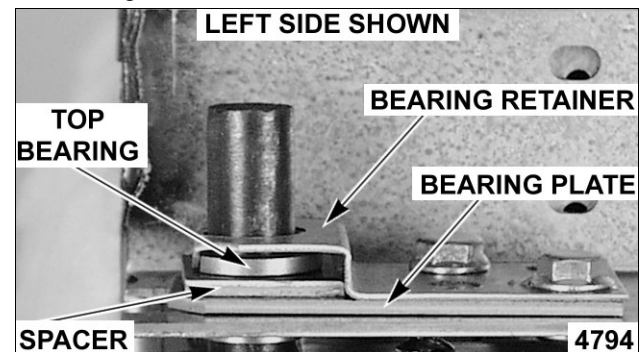


WARNING: DISCONNECT THE ELECTRICAL POWER TO THE MACHINE AND FOLLOW LOCKOUT / TAGOUT PROCEDURES.

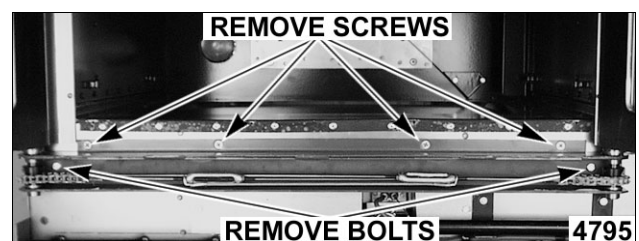
- Remove the top front cover and bottom front cover as outlined under COVERS AND PANELS.
- Remove the door switch lever.



- Remove the top bearing retainers and top bearings.



- Remove the lower door seal strip to expose the mounting screws of the door assembly.
 - Remove the two (2) lower sill bolts by the lower door shaft and the four (4) counter-sunk screws from the lower sill.

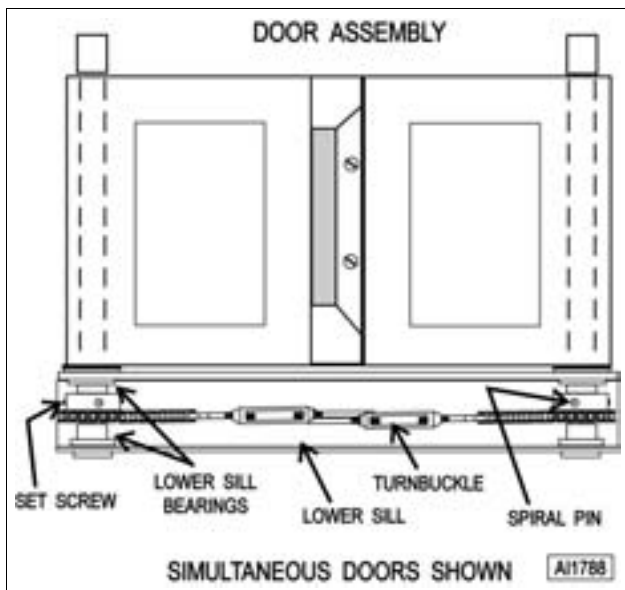


NOTE: The door assembly is heavy and will drop down once the last screw is removed. If removing door assembly with-out assistance, the ignition cable, flame sense lead and gas manifold should also be removed to avoid damage to these components.

5. Lift up on the door assembly and swing the right side out then move the assembly to the left to clear the slots in the upper door sill.
6. Lay the door assembly on a flat cushioned surface for disassembly.
7. Reverse procedure to install door assembly and check for proper adjustment as outlined under DOOR ADJUSTMENT, DOOR CHAIN ADJUSTMENT (SIMULTANEOUS DOORS) and DOOR SWITCH ADJUSTMENT in SERVICE PROCEDURES AND ADJUSTMENTS.

Disassembly

1. Remove the door assembly as outlined in OVEN DOORS (SIMULTANEOUS) under ASSEMBLY REMOVAL.
2. Remove the door chain by loosening one of the turnbuckles.
3. Loosen the set screw on the sprocket of door being replaced.
4. Drive out the spiral pin from the sprocket of door being replaced.
5. Remove the door from lower sill bearings and sprocket.



A. Door assembly parts are now accessible for inspection and/or replacement if necessary.

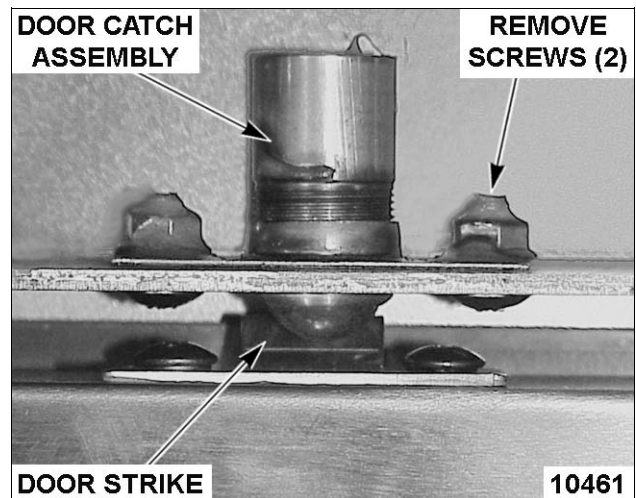
6. Reverse procedure to re-assemble the door assembly parts and check for proper adjustment as outlined under DOOR CHAIN ADJUSTMENT (SIMULTANEOUS DOORS) in SERVICE PROCEDURES AND ADJUSTMENTS.

DOOR CATCH BALL ASSEMBLY (INDEPENDENT DOORS)



WARNING: DISCONNECT THE ELECTRICAL POWER TO THE MACHINE AND FOLLOW LOCKOUT / TAGOUT PROCEDURES.

1. Remove the top front cover as outlined under COVERS AND PANELS.
2. Remove the screws that secure the door catch assembly.



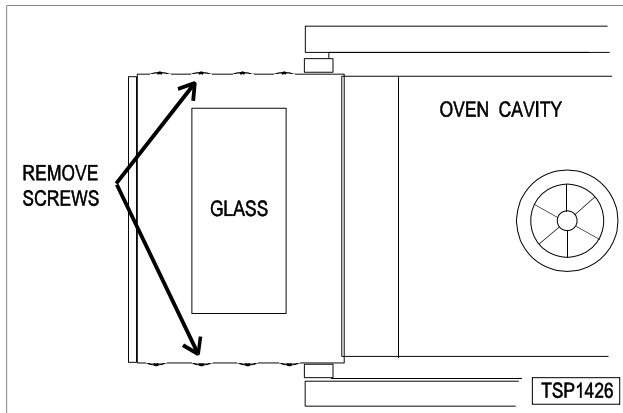
3. Reverse procedure to install.
4. Adjust the ball catch as outlined under DOOR CATCH BALL ADJUSTMENT (INDEPENDENT DOORS) in SERVICE PROCEDURES AND ADJUSTMENTS.

DOOR WINDOW



WARNING: DISCONNECT THE ELECTRICAL POWER TO THE MACHINE AND FOLLOW LOCKOUT / TAGOUT PROCEDURES.

1. Remove the screws at the top and bottom of door.



2. Independent doors:

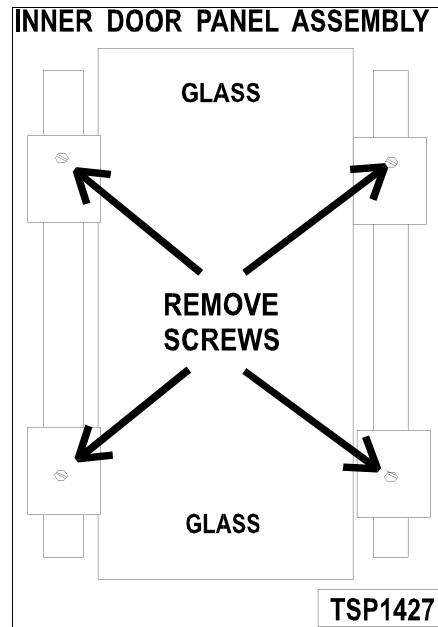
- A. Remove the door handle then remove the outer door panel.
- B. Lift out the inner door panel and window assembly.

NOTE: Left door only - remove door seal from the inside edge of the door.

3. Simultaneous doors:

- A. If replacing window on the left door, remove the handle from the front of the door then remove door seal from the inside edge of the door.
 - 1) Lift out the inner door panel and window assembly.
 - 2) If replacing window on the right door, remove the screws along the inside edge (if applicable) of the door then remove the inner door panel and window assembly.

- 4. Remove the screws securing the window TABS to the door bracket and lift the window assembly out from the door frame.



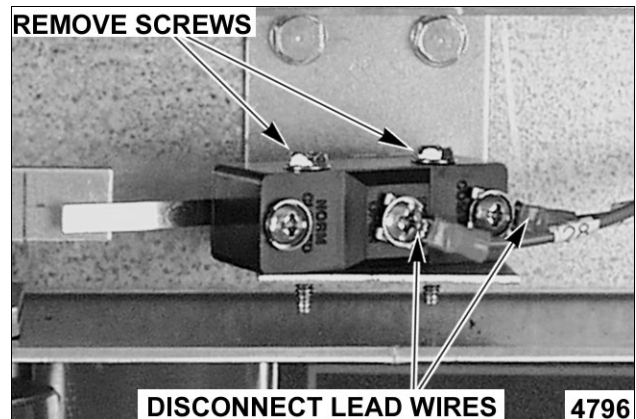
- 5. Reverse procedure to install the replacement window.

DOOR SWITCH



WARNING: DISCONNECT THE ELECTRICAL POWER TO THE MACHINE AND FOLLOW LOCKOUT / TAGOUT PROCEDURES.

- 1. Remove the top front cover as outlined under COVERS AND PANELS.
- 2. Disconnect the lead wires to the door switch.
- 3. Remove the switch.



- 4. Reverse procedure to install the replacement switch and check for proper adjustment as outlined under DOOR SWITCH ADJUSTMENT in SERVICE PROCEDURES AND ADJUSTMENTS.

MECHANICAL KX THERMOSTAT (WKG/WKGX)



WARNING: DISCONNECT THE ELECTRICAL POWER TO THE MACHINE AND FOLLOW LOCKOUT / TAGOUT PROCEDURES.

1. Remove the racks and right rack support.
2. Remove the thermostat knob and mounting screws from the control panel and then remove the control panel.
3. Remove the probe guard from the oven cavity wall.

NOTE: When installing, the probe should not extend beyond the probe guard.

4. Remove the thermostat bulb from the oven cavity by pushing it through the oven wall and into the control panel area.

NOTE: The hole in the oven cavity wall does not line up straight with the oven cavity outer shell, therefore the probe must be removed at an angle.

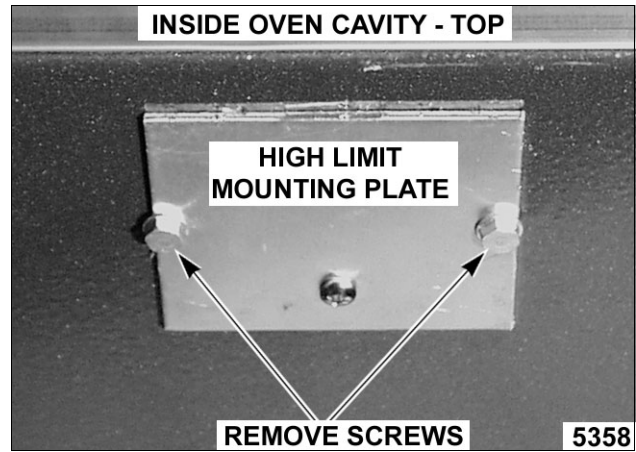
5. Reverse the procedure to install.
6. Adjust the thermostat as outlined under MECHANICAL THERMOSTAT CALIBRATION (WKG/WKGX) in SERVICE PROCEDURES AND ADJUSTMENTS.

HIGH LIMIT THERMOSTAT

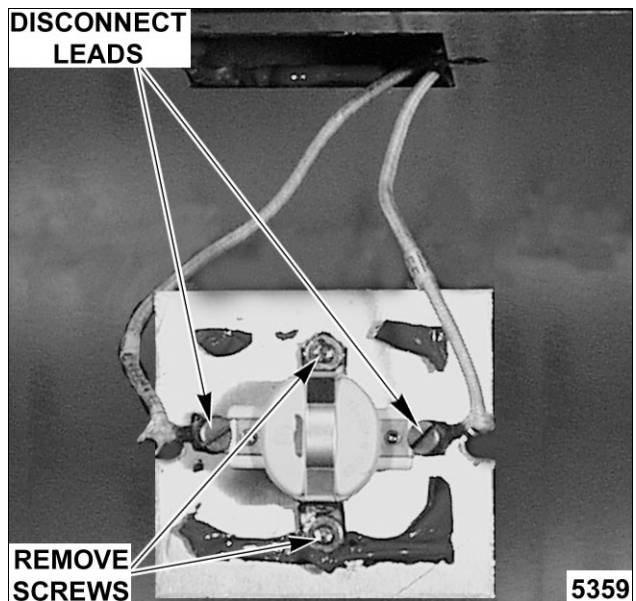


WARNING: DISCONNECT THE ELECTRICAL POWER TO THE MACHINE AND FOLLOW LOCKOUT / TAGOUT PROCEDURES.

1. Take out racks from the oven.
2. Remove the high limit thermostat cover/mounting plate from inside the oven cavity at the top.



3. Disconnect lead wires from high limit thermostat then remove high limit thermostat from cover/mounting plate.



NOTE: Remove the old RTV from the cover and mating surfaces inside the oven cavity and apply new RTV before installing.

4. Reverse procedure to install.

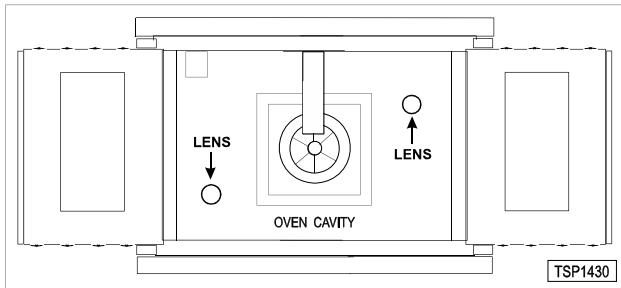
INTERIOR LIGHTS



WARNING: DISCONNECT THE ELECTRICAL POWER TO THE MACHINE AND FOLLOW LOCKOUT / TAGOUT PROCEDURES.

Lamp

1. Remove the racks.
2. Unscrew the glass lens for the light being replaced then unscrew the bulb.
3. Replace bulb then reverse the procedure to install.

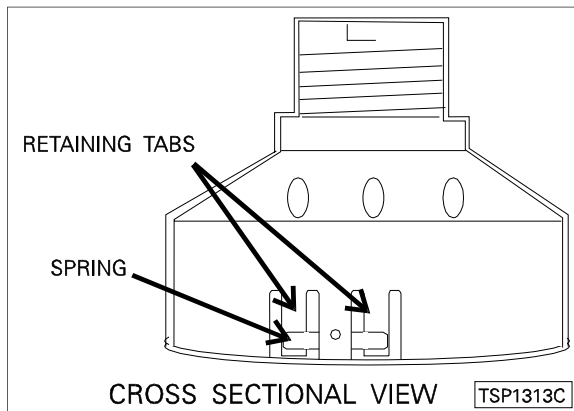


Lamp Assembly



WARNING: DISCONNECT THE ELECTRICAL POWER TO THE MACHINE AND FOLLOW LOCKOUT / TAGOUT PROCEDURES.

1. Remove the lens and bulb.
2. Remove the springs from the retaining tabs (2 places) on the socket.



3. Depress the retaining tabs and pull the socket out from the oven, far enough to disconnect the lead wires.
4. Remove the socket from the oven.
5. Attach the lead wires to the replacement socket.
6. Insert the socket into the hole in the oven and push until the socket is held in place by the retaining tabs.
7. Install the light bulb and lens.
8. Check for proper operation.

COOLING FAN

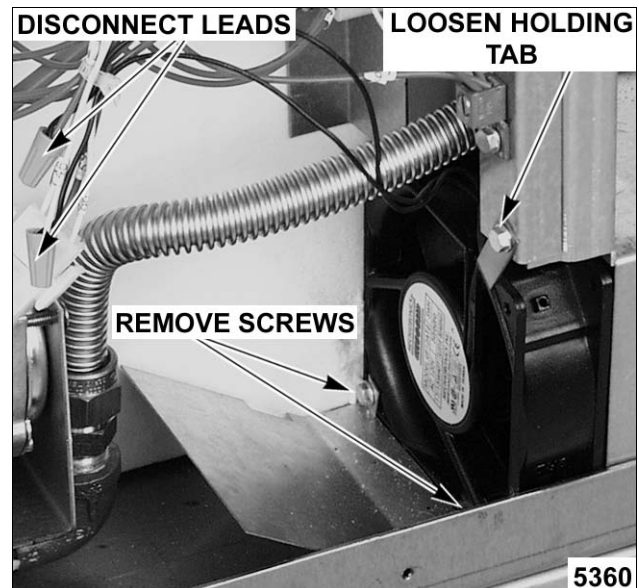


WARNING: DISCONNECT THE ELECTRICAL POWER TO THE MACHINE AND FOLLOW LOCKOUT / TAGOUT PROCEDURES.

1. Remove the right side panel as outlined under COVERS AND PANELS.

NOTE: If right side panel is not accessible, this component can be serviced by removing the control panel as outlined under COVERS AND PANELS.

2. Disconnect the lead wires to the fan motor by removing wire nuts.
3. Remove the screws securing the air deflector to the fan then loosen the tab screw holding the fan to the component panel. Rotate the tab so that the fan will clear and remove the fan.



4. Reverse the procedure to install the replacement fan and check for proper operation.

NOTE: The fan must be installed so air is pulled from the rear of the oven and blown into the control area. The arrow on the fan body indicates AIR FLOW direction and should be pointing toward the controls.

NOTE: Ensure fan is seated SQUARELY against the air tube and the oven bottom.

NOTE: The air deflector should be angled upwards at approximately 30 degrees to properly direct the air flow.

SERVICE PROCEDURES AND ADJUSTMENTS

WARNING: CERTAIN PROCEDURES IN THIS SECTION REQUIRE ELECTRICAL TEST OR MEASUREMENTS WHILE POWER IS APPLIED TO THE MACHINE. EXERCISE EXTREME CAUTION AT ALL TIMES. IF TEST POINTS ARE NOT EASILY ACCESSIBLE, DISCONNECT POWER AND FOLLOW LOCKOUT/TAGOUT PROCEDURES, ATTACH TEST EQUIPMENT AND REAPPLY POWER TO TEST.

SOLID STATE TEMPERATURE CONTROL CALIBRATION (WKGD/WKGDG)

1. Place a thermocouple in the geometric center of the oven cavity.
2. Set the ON-OFF-OVEN COOL switch to ON.
3. Set the temperature control dial to 350°F.
4. Allow the oven temperature to stabilize (normally 3 cycles).
5. Record the temperature at which the Heat lamp goes OFF and comes ON for at least two complete heating cycles.
6. Calculate the differential by subtracting the temperature indicated when the lamp goes out from the temperature indicated when the lamp comes on.

Differential = Heat lamp OFF - Heat lamp ON
Example: 360° (lamp off) - 340° (lamp on) = 20°

- A. The differential calculated should be less than 20 °F.
 - 1) If the differential is less than 20 °F, the temperature control circuit is functioning properly.
 - a. Proceed to step 7.
 - 2) If the differential is more than 20 °F:
 - a. Check the temperature probe as outlined under TEMPERATURE PROBE TEST (WKGD/WKGDG).
 - b. If the probe is functioning properly then temperature control is malfunctioning.
 - a) Install a replacement temperature control and check calibration.
7. Calculate the average temperature by adding the temperature indicated when the lamp goes out to the temperature indicated when the lamp comes on and dividing this answer by 2.

[Temp. (lamp off) + Temp. (lamp on)] ÷ 2 = Average Temp.
Example: 360° + 340° ÷ 2 = 350°

- A. If the average temperature is less than 10 °F from the dial setting, the thermostat is properly calibrated.
 - B. If the average temperature is more than 10 °F from the dial setting, the thermostat calibration must be adjusted.
 - 1) Loosen the temperature control knob set screw and remove the knob from the stem.
 - 2) Loosen temperature control mounting screws only enough to rotate the control.
 - a. Place thumb and forefinger on the head of the mounting screws, apply pressure and slightly rotate the screw heads (body of control) in the slot. Rotate clockwise to increase temperature and counterclockwise to decrease.
 - b. Center the stem in the opening and re-tighten the temperature control mounting screws.
 - c. Replace knob and re-tighten set screw .
 - d. Rotate the knob to the lowest temperature setting then back to 350°F.
 - e. Repeat the average temperature calculation in step 7.
- NOTE:** Allow the oven to cycle at least two times between adjustments before performing the calculation.
- a) If the average temperature still differs more than 10 °F from the dial setting, adjust the thermostat calibration until the average temperature is within tolerance.
 - C. If the above adjustment cannot be obtained, replace the temperature control and check calibration.

MECHANICAL THERMOSTAT CALIBRATION (WKG/WKGX)

1. Place a thermocouple in the geometric center of the oven cavity.
2. Set the ON-OFF-OVEN COOL switch to ON.
3. Set the thermostat dial to 350°F.
4. Allow the oven temperature to stabilize (normally 3 cycles).
5. Record the temperature when the thermostat cycles OFF and ON for at least three complete cycles.
6. Calculate the differential by subtracting the temperature indicated when heat lamp goes out from temperature indicated when heat lamp comes on.

Differential = Heat lamp OFF - Heat lamp ON
Example: 360° (lamp off) - 340° (lamp on) = 20°

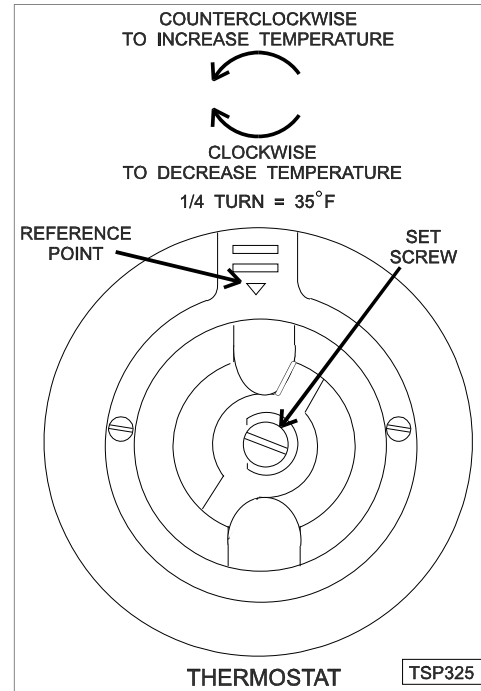
- A. The differential calculated should be less than 30°F.
 - 1) If the differential is less than 30° F, the thermostat is functioning properly.
 - a. Proceed to step 7.
 - 2) If the differential is more than 30°F, the thermostat is malfunctioning.
 - a. Install a replacement thermostat and check calibration.
7. Calculate the average temperature by adding the temperature indicated when the heat lamp goes out to the temperature indicated when the heat lamp comes on and dividing this answer by 2.

[Temp. (lamp off) + Temp. (lamp on)] ÷ 2 = Average Temp.
Example: 360° + 340° ÷ 2 = 350°

- A. If the average temperature is less than 15°F from the dial setting, the thermostat is properly calibrated.
- B. If the average temperature is more than 15°F of the dial setting, the thermostat calibration must be adjusted.
 - 1) Remove the thermostat knob.
 - 2) Hold the thermostat shaft and turn the inner set screw clockwise to decrease temperature or counterclockwise to increase temperature (1/4 turn = 35°F).
8. Replace the knob and repeat step 7 until the average temperature is within tolerance.

NOTE: Allow the oven to cycle at least two times between adjustments before performing the calculation.

9. If the above adjustment can not be obtained, install a replacement thermostat and check calibration.



SOLID STATE TEMPERATURE CONTROL TEST (WKGD/WKGD)



WARNING: DISCONNECT THE ELECTRICAL POWER TO THE MACHINE AND FOLLOW LOCKOUT / TAGOUT PROCEDURES.

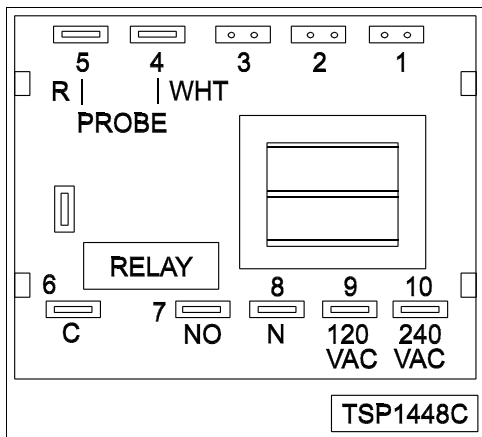
1. Remove the right side panel as outlined under COVERS AND PANELS in REMOVAL AND REPLACEMENT OF PARTS.

NOTE: If right side panel is not accessible, this component can be serviced by removing the control panel as outlined under COVERS AND PANELS.
2. Place a thermocouple in the geometric center of the oven cavity.

NOTE: Oven temperature must be below 450°.

NOTE: If oven is equipped with the Roast and Hold option, turn it to Normal ROAST (normal cooking) before continuing.
3. Set the temperature control to the maximum setting.

4. Check machine data plate for correct voltage to oven. Refer to diagram below for proper terminal locations and voltages before checking the control. Use the correct terminals for the corresponding voltage.
5. Turn the ON-OFF-OVEN COOL switch to ON.



6. Check for proper voltage across terminals 8 & 9 (120VAC) or terminals 8 & 10 (208-240VAC) for power to the control.
 - A. If correct, proceed to step 7.
 - B. If incorrect, problem is not with the temperature control (See troubleshooting section).
7. Check relay voltages on the board:
 - A. For 120VAC controls - check across terminals 7 & 9 for input to the internal relay and 6 & 9 for output from the internal relay.
 - B. For 208-240VAC controls - check across terminals 7 & 10 for input to the internal relay and 6 & 10 for output from the internal relay.
 - 1) If input voltage to the internal relay is correct, proceed to step 8. If input voltage to the internal relay is not present, problem is not with the temperature control (See troubleshooting section).
 - 2) If output voltage from the internal relay is correct proceed to step 8. If output voltage from the internal relay is not correct, check temperature probe as outlined under TEMPERATURE PROBE TEST (WKGD/WKGDGX).
8. Set the temperature control to the minimum setting.

NOTE: Oven temperature must be above 300°F.

9. Check for zero (0) volts AC across terminals 6 & 9 (120VAC) or 6 & 10 (208-240VAC) for no output from the internal relay.

- A. If correct, temperature control is functioning properly.
- B. If incorrect, check temperature probe as outlined under TEMPERATURE PROBE TEST (WKGD/WKGDGX).
 - 1) If temperature probe is ok, replace the temperature control and check calibration as outlined under SOLID STATE TEMPERATURE CONTROL CALIBRATION (WKGD/WKGDGX).

TEMPERATURE PROBE TEST (WKGD/WKGDGX)



WARNING: DISCONNECT THE ELECTRICAL POWER TO THE MACHINE AND FOLLOW LOCKOUT / TAGOUT PROCEDURES.

NOTE: The temperature probe used in conjunction with the Solid State Temperature control is an RTD (resistance temperature detector) of the Thermistor type. As temperature increases the resistance value decreases.

1. Remove the right side panel as outlined under COVERS AND PANELS in REMOVAL AND REPLACEMENT OF PARTS.
- NOTE:** If right side panel is not accessible, this component can be serviced by removing the control panel as outlined under COVERS AND PANELS.
2. Place a shielded thermocouple in the geometric center of the oven cavity and determine the temperature in the oven cavity.
 3. Remove the probe lead wires from the solid state temperature control.
 4. Test the probe with an ohmmeter.
 - A. If the measured resistance values are inside the given tolerance then the probe is functioning properly.
 - B. If the measured resistance values are outside the given tolerance then replace the probe and retest.
 - 1) Check oven for proper operation.

5. Reverse procedure to install.

TEMP (°F)	OHMS*	TEMP (°F)	OHMS*
77	90000	360	822
240	4077	380	656
260	3016	400	529
280	2266	425	424
300	1726	450	334
320	1332	475	266
340	1041		

(*) Resistance in ohms \pm 10%

GAS PRESSURE ADJUSTMENT



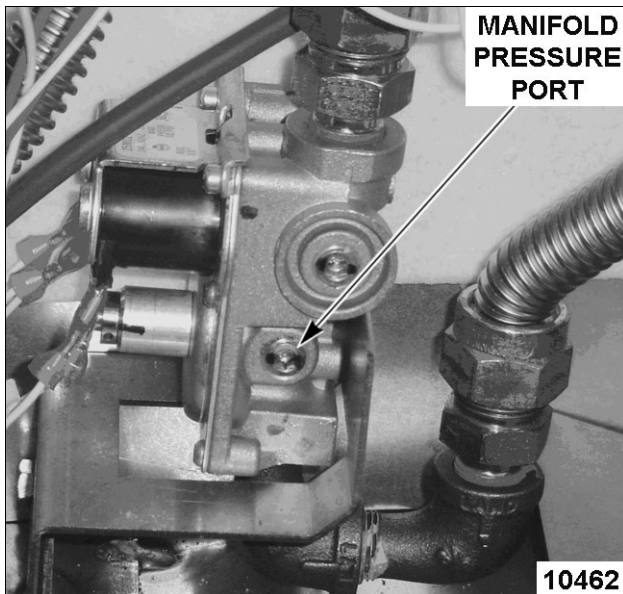
WARNING: DISCONNECT THE ELECTRICAL POWER TO THE MACHINE AND FOLLOW LOCKOUT / TAGOUT PROCEDURES.

WARNING: SHUT OFF THE GAS BEFORE SERVICING THE UNIT.

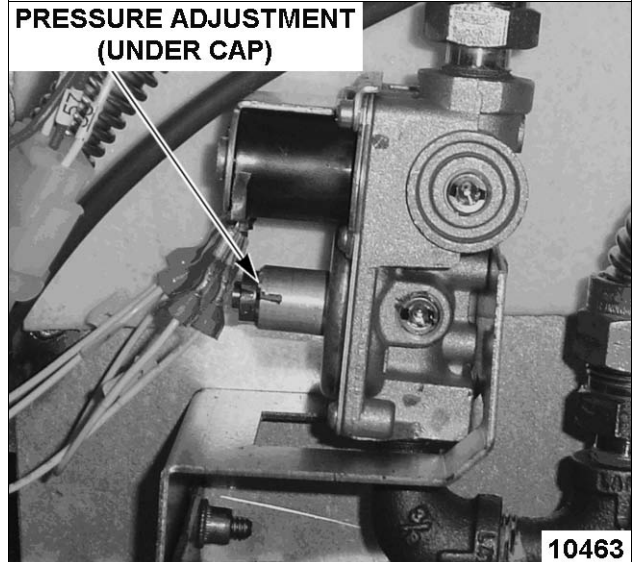
1. Remove the right side panel as outlined under COVERS AND PANELS in REMOVAL AND REPLACEMENT OF PARTS.

NOTE: If right side panel is not accessible, this component can be serviced by removing the control panel as outlined under COVERS AND PANELS.

2. Remove the plug from the manifold pressure port.



3. Install hose barb adapter and attach manometer tube.



4. Remove adjustment screw cap from the gas valve and turn gas supply to the oven back on.
5. Plug the unit in and turn the power switch ON.
6. Set the temperature control to its highest setting and allow burner to ignite.

NOTE: Accurate gas pressure adjustments can only be made with the gas on and the burner lit.

7. Turn the set screw to obtain the proper gas pressure (clockwise = pressure increase; counterclockwise = pressure decrease).

GAS TYPE	PRESSURE READINGS (IN W.C.)			
	MANIFOLD	LINE		
		RECOMMENDED	MIN	MAX
Natural	3.5	7	5	14
Propane	10	11	11	

NOTE: If the incoming line pressure to the valve is less than the minimum stated, then the manifold pressure can not be set correctly.

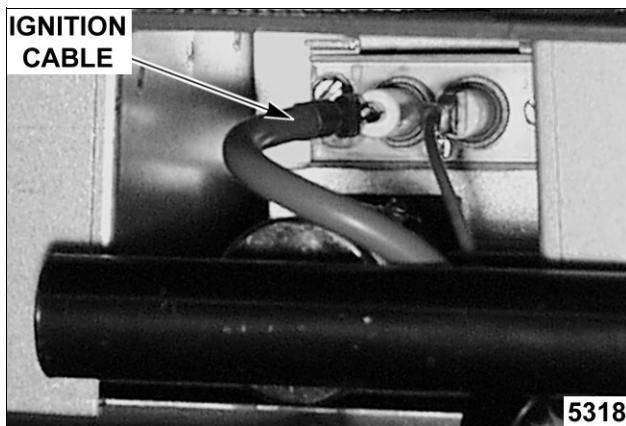
VERIFICATION OF SPARK AT IGNITOR



WARNING: DISCONNECT THE ELECTRICAL POWER TO THE MACHINE AND FOLLOW LOCKOUT / TAGOUT PROCEDURES.

WARNING: SHUT OFF THE GAS BEFORE SERVICING THE UNIT.

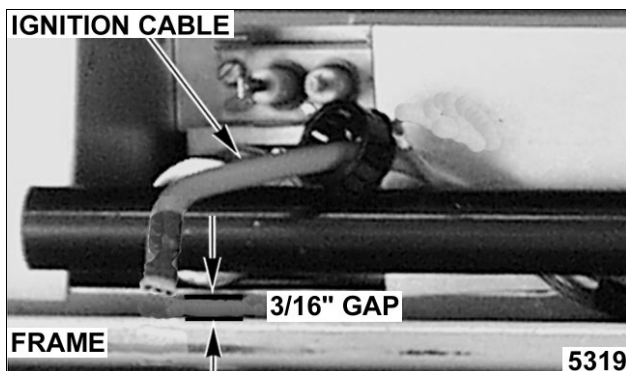
1. Remove the bottom front cover as outlined under **COVERS AND PANELS** in **REMOVAL AND REPLACEMENT OF PARTS**.
2. Disconnect the high voltage **IGNITION CABLE** from the spark ignitor.



WARNING: DO NOT HOLD THE WIRE WITH YOUR HANDS FOR THIS TEST. THE MANUAL GAS VALVE MUST BE CLOSED.

3. Clamp the ignition cable in a manner that will position the end of the cable 3/16" from the oven frame (bare metal surface).

NOTE: It is critical that the cable be held 3/16" away from the surface of the oven frame or sparking may not occur even though the sparking circuit is functioning properly.



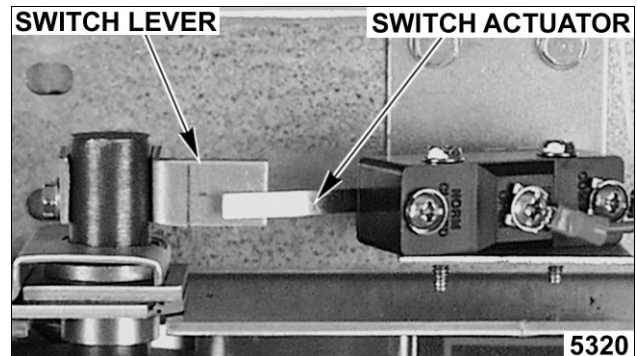
4. Plug the oven in and set the temperature control to the maximum setting.
5. Turn the power switch **ON**.
6. Sparking should occur after a 4 second delay, for a duration of 7 seconds then repeat twice after a 15 second purge time. Arching from the ignition cable to the oven frame should be observed.

DOOR SWITCH ADJUSTMENT



WARNING: DISCONNECT THE ELECTRICAL POWER TO THE MACHINE AND FOLLOW LOCKOUT / TAGOUT PROCEDURES.

1. Remove the top front cover as outlined under **COVERS AND PANELS**.
2. Door operation:
 - A. Independent doors - The switch actuator should be operated by the switch lever when the right door is between 1" and 1 1/2" from being closed.
 - B. Simultaneous doors - The switch actuator should be operated by the switch lever when the right door is 1/2" from being closed.
3. If adjustment is necessary, bend the switch actuator to obtain the proper setting.



4. Install the top front cover.
5. Apply power to the oven and check for proper operation.

BLOWER ADJUSTMENT

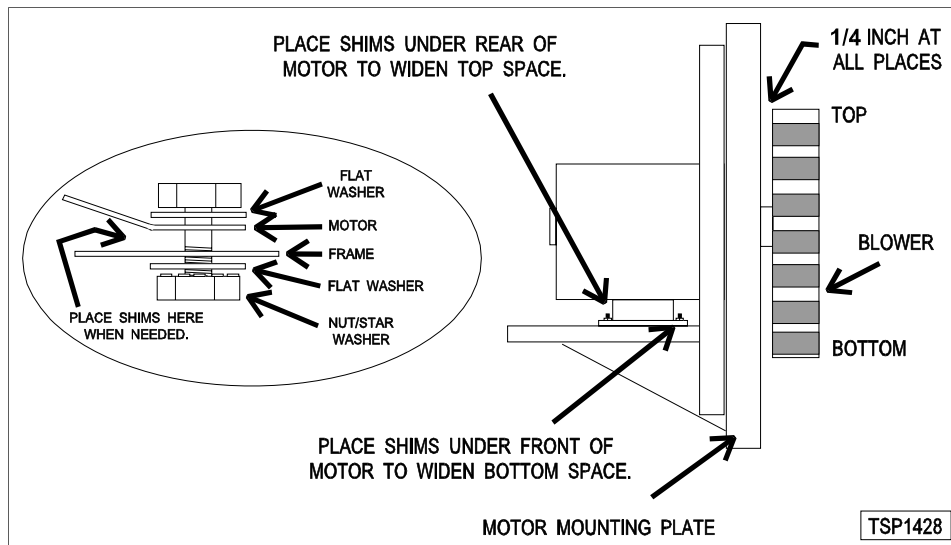


WARNING: DISCONNECT THE ELECTRICAL POWER TO THE MACHINE AND FOLLOW LOCKOUT / TAGOUT PROCEDURES.

WARNING: SHUT OFF THE GAS BEFORE SERVICING THE UNIT.

1. Remove the blower motor and mounting assembly by following steps 1 through 8 as outlined under BLOWER AND MOTOR in REMOVAL AND REPLACEMENT OF PARTS.
2. Loosen the motor mounting bolts.
3. Adjust the motor position until the blower is parallel to and 1/4 inch away from the motor mounting plate. Check for squareness of the blower to the motor mounting plate at the top, bottom, left and right of the blower.
 - A. If the blower is square then tighten motor mounting bolts and proceed to step 4.
 - B. If the blower is not square continue adjusting until proper spacing is achieved then tighten motor mounting bolts.

NOTE: If necessary, place shims between motor and frame.



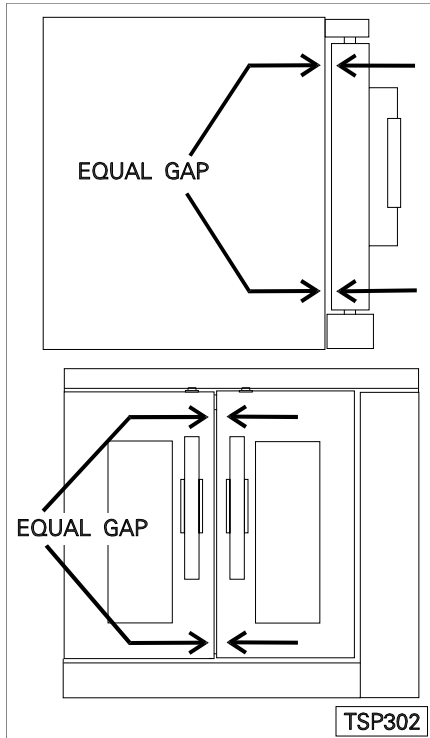
4. Reverse the procedure to install.

DOOR ADJUSTMENT

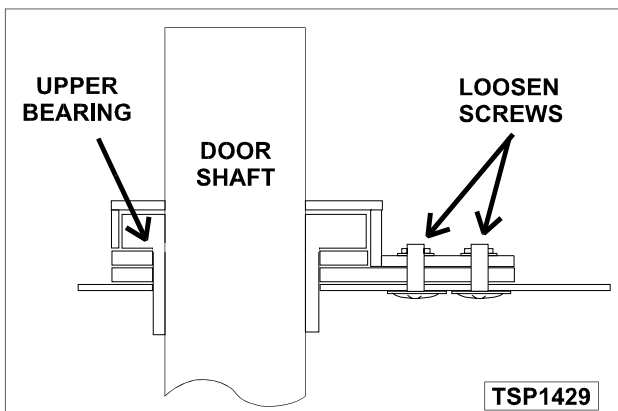


WARNING: DISCONNECT THE ELECTRICAL POWER TO THE MACHINE AND FOLLOW LOCKOUT / TAGOUT PROCEDURES.

1. Check the doors to make sure they have an equal gap between them and that the vertical edge of the door is parallel to the vertical door seal. If the doors are not positioned in this manner, adjust the doors as described.



2. Remove the top front cover.
3. Loosen the screws that secure the upper door bearings and related hardware, just enough to allow door movement.



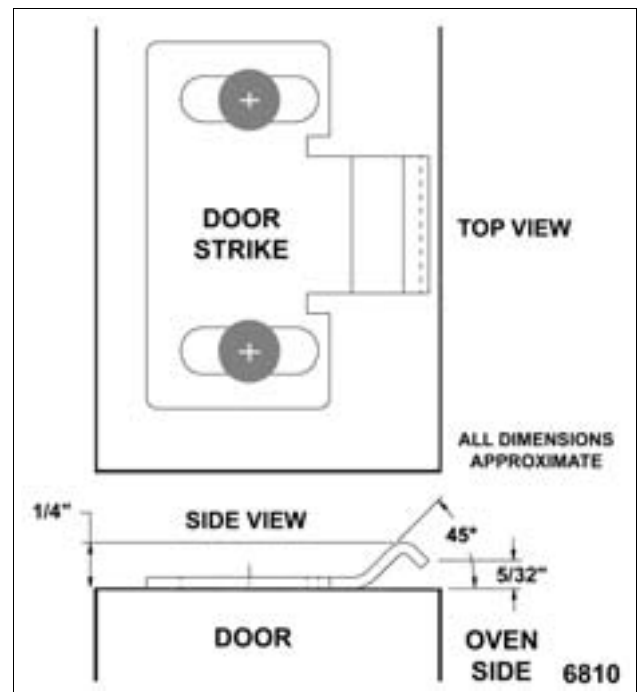
4. Move the door until proper alignment is achieved then tighten the screws on the upper door bearing hardware.
5. Repeat step 3 and 4 on the opposite door, if necessary.

DOOR CATCH BALL ADJUSTMENT (INDEPENDENT DOORS)



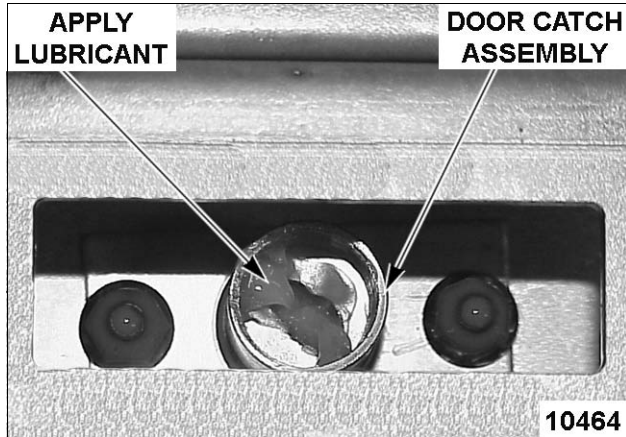
WARNING: DISCONNECT THE ELECTRICAL POWER TO THE MACHINE AND FOLLOW LOCKOUT / TAGOUT PROCEDURES.

1. Remove top front cover as outline under COVERS AND PANELS in REMOVAL AND REPLACEMENT OF PARTS.
2. Open the doors and inspect door strike for proper shape.



- A. Replace if bent and adjust as outlined in this procedure.
3. Open and close the doors several times while observing the catch ball operation.
 - A. Replace if malfunctioning and adjust as outlined in this procedure.
- NOTE:** Shims may be required under the door strike, before the proper door tension adjustment can be set.

4. Apply lubricant at the top of the door catch assembly to lubricate the internal spring. See LUBRICATION under GENERAL.



5. Close the doors and check them for proper alignment.
 - A. Doors should be centered and parallel at the top and bottom in the oven cavity opening as outlined under DOOR ADJUSTMENT.
6. Open right side door and view the left side catch ball and door strike position. Ensure catch ball is resting upon the angular surface of door strike. Repeat on opposite door.

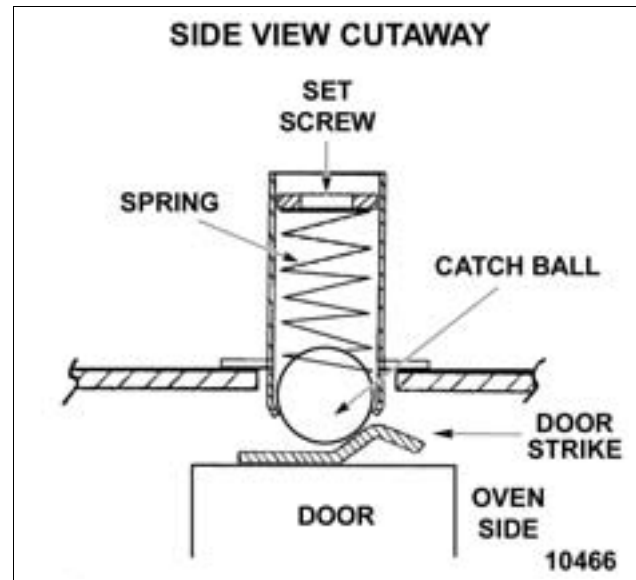
NOTE: If catch ball is striking the flat surface on door strike, shims will be required under the door catch assembly.

NOTE: The catch ball should make contact near the center of door strike.

- A. If adjustment is necessary, loosen mounting screws then slide door strike from front to back until roller ball rests upon the angular surface of the door strike. Tighten screws and check operation.
 - B. If proper adjustment cannot be achieved, add shims beneath the door strike. Repeat step 6. **DO NOT BEND THE DOOR STRIKE.**
7. Each oven door should open with a force of 8 to 25 pounds when pulled at the handle. The adjustment must allow the doors to remain closed during normal operation and allow opening without exertion by the user.

NOTE: The amount of tension on catch ball determines the opening force of door.

- A. Adjust catch ball tension as follows:
 - 1) Turn set screw inside the catch assembly housing clockwise to increase tension on catch ball and counterclockwise to decrease tension on catch ball.



- 2) Continue adjustment until proper door operation is achieved.

DOOR CHAIN ADJUSTMENT (SIMULTANEOUS DOORS)

Introduction

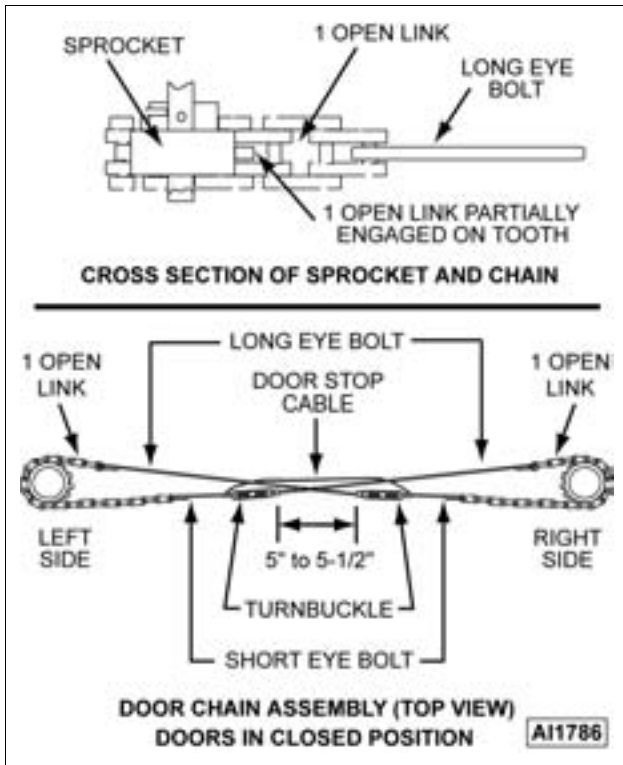
When the oven doors are in proper adjustment, as the doors come together, the right door will lead the left door in closing by about 1/4 inch. The doors will feel like they are self closing the last 1/2 inch of travel.

Procedure

1. Remove the lower sill cover as outline under COVERS AND PANELS in REMOVAL AND REPLACEMENT OF PARTS.
2. Close doors and check door chain for factory setting.
 - A. Turnbuckles should be 5 to 5 1/2 inches apart.
 - B. Short eye bolt should be connected to the end of the chain that goes to the front of the sprocket.
 - C. At the rear of the sprocket, one open link of the chain should be partially engaged with a tooth on the sprocket, the next open link should not be engaged (completely empty), and the last open link should be secured to the long eye bolt.
 - D. Chain must be tight enough that the doors move simultaneously when opened or closed.
 - E. When the doors are opened, the turnbuckles will move away from each other.

F. The stop cable must be positioned where it moves freely and does not get pinched.

3. Position door chain assembly to factory setting if the conditions in step 2 are not met.



4. If right door does not lead the left door in closing:
 - A. Loosen locknut on both turnbuckles.
 - B. Loosen left turnbuckle.
 - C. Tighten right turnbuckle.
 - D. Tighten locknut on both turnbuckles.
5. If the right door leads the left door by more than 3/8 inch:
 - A. Loosen locknut on both turnbuckles.
 - B. Loosen right turnbuckle.
 - C. Tighten left turnbuckle.
 - D. Tighten locknut on both turnbuckles.
6. Check doors for proper operation.

NOTE: The locknuts must be tight during testing or the adjustment will not hold.

- A. If doors do not close properly, repeat step 4, 5 and 6.
- B. If doors operate properly, continue with procedure.

7. Install the lower front cover.

COMPUTER CONTROL (WKGK/WKGCX)

Operation

Refer to the Owner's Manual for specific operating instructions.

Setup Mode

NOTE: Use the setup mode to verify that the control is configured to the factory settings which result in the proper operation of the oven. If the CAL1 parameter is other than zero, determine if it is still needed before resetting to zero. See COMPUTER CONTROL CALIBRATION (WKGK/WKGCX).

CAUTION: Changing the C_F, InP1, rL1 & rH1 parameters will default all menus.

1. Use this key sequence to access the setup mode.

Up arrow; Rack 1; Temperature; Temperature;
Down arrow; Rack 1



2. Once in the setup mode the display will alternate between the parameter and programmed data.
 - To change data to the factory setting, use the arrow keys.
 - To select the next parameter, press the Rack 1 key.
 - After the last Parameter and Data is viewed, press the Rack 1 key a final time to exit the setup mode and return to operations mode. The current set point temperature will be displayed.
 - After 1 minute of no key activations, the control will return to operation mode.
3. Listed are the parameters and data you should find.

MENU	ALTERNATING ON DISPLAY	
	PARAMETER	DATA
Celsius_Fahrenheit	C_F	F
Guard Band	gb	4000
Temperature Compensation	tcnP	OFF
Input Type 1	InP1	J
Range Low 1	rL1	75
Range High 1	rH1	500
Hysteresis	HYS1	3
Calibration Offset	CAL1	0
Exit Setup Mode and return to Operation Mode.	set point temperature is displayed or if call for heat, dashes (----) displayed.	

Probe Test

1. Set the control to 350°F.
2. Access the back of the control panel to disconnect the probe lead wires.
3. Install a jumper wire across the probe terminals. This will simulate room temperature.
 - A. If the heat light comes on and the actual temperature is room temperature, replace the probe.
 - B. If the heat light does not come on or the actual temperature is not room temperature, replace the control.

Solid State Relay Test

1. Remove the right side panel as outlined under COVERS AND PANELS.
2. Set the temperature to 350°F or high enough to keep the heat ON for several minutes.
3. Check for +5 VDC on input side of SSR (terminals 3 & 4).
 - A. If +5 VDC is present, continue to step 4.
 - B. If no voltage is present, computer control is not functioning properly.
4. Check for 120 VAC at load side of SSR (terminals 1 & 2).
 - A. If no voltage is present, solid state relay is not functioning properly.
 - 1) Replace the SSR and check for proper operation.
 - B. If 120 VAC is present, component is functioning properly.

5. Re-assemble oven and check for proper operation.

COMPUTER CONTROL CALIBRATION (WKGC/WKGCX)

1. Place a thermocouple in the geometric center of the oven cavity.
2. Set the ON-OFF-OVEN COOL switch to ON.
 - A. If the set point temperature is 350°F, proceed to step 4.
 - B. If the set point temperature is other than 350°F, proceed to step 3 to change the temperature.
3. Press the set key then temperature key to enter the temperature set mode.
 - A. The display will alternate between the term StPt (set point) and the current oven temperature setting.
 - B. Press the up or down arrow keys to make the proper selection.
 - C. Press the set key again to save the change and exit the temperature set mode.
4. Allow the oven temperature to stabilize (normally 3 cycles).
5. Compare the controls set point temperature to the thermocouple meter reading when the heat light goes out.
 - A. A temperature variance more than 5°F indicates an adjustment is needed.
 - 1) To make the adjustment, proceed to step 6.
 - 2) If temperature variance is less than 5°F, computer control is functioning properly.
6. Enter the setup mode as outlined in SETUP MODE under COMPUTER CONTROL (WKGC/WKGCX).
 - A. Advance through the menu until CAL1 (Calibration Offset) appears.
 - 1) If the thermocouple reading is higher than set point temperature, press the down arrow key and enter a negative offset value that is equal to the number of degrees above the 5°F tolerance.

- 2) If the thermocouple reading is lower than set point temperature, press the up arrow key and enter a positive offset value that is equal to the number of degrees below the 5°F tolerance.
 - 3) Exit the setup mode.
7. Allow the oven to cycle at least two times between adjustments.
- A. If the temperature variance still differs more than 5°F from the set point, verify the correct calibration offset value was entered and retained.
 - 1) Adjust the calibration offset value as outlined in step 6, until the cycling temperature is within tolerance.
 - B. If the above adjustment cannot be obtained, replace the computer control and check for proper operation.

ELECTRICAL OPERATION

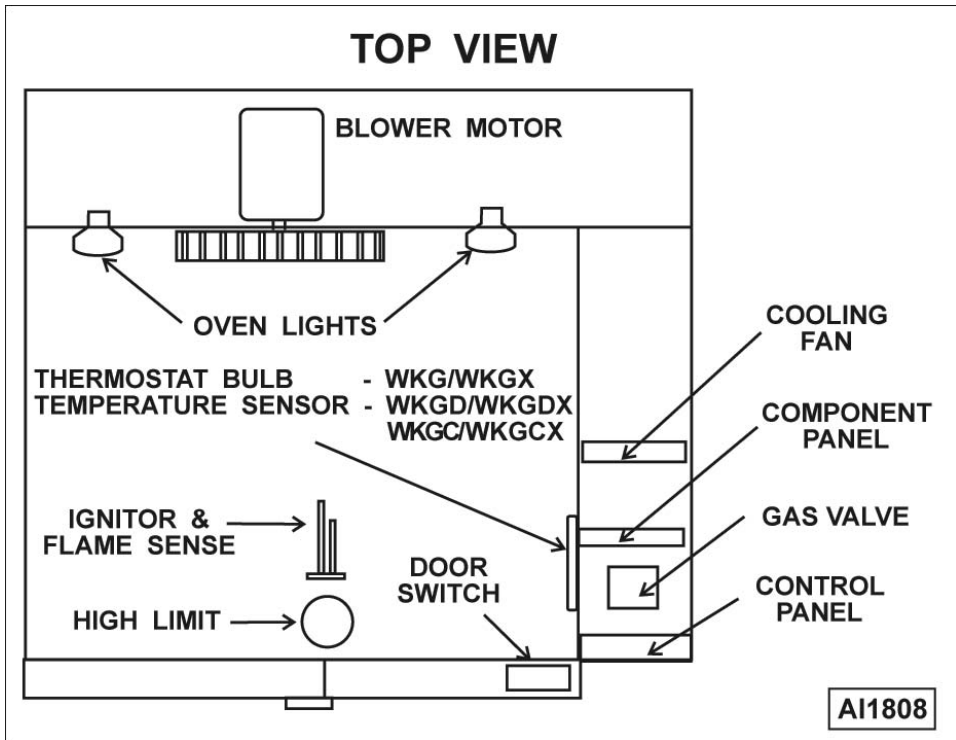
COMPONENT FUNCTION

- Power Switch (S1)** Determines the mode of operation; ON, OFF, or OVEN COOL.
- Oven Light Switch (S2)** Controls the oven cavity lights.
- Fan Speed Switch Hi/Low (S3)** . . . Controls blower motor speed between Hi and Low settings. Available on standard models WKG/WKGX or WKGD/WKGDY. On models with the ROAST & HOLD option (S3) becomes the Function Switch.
- Function Switch (S3)** Selects the cooking mode of the oven between Normal ROAST or ROAST & HOLD and is used in conjunction with the ROAST & HOLD timer during ROAST & HOLD cooking. The selected mode also determines the fixed blower speed of Hi for Normal ROAST and Low for ROAST & HOLD. In ROAST & HOLD mode only, energizes the hold relay (R2). Available on models with ROAST & HOLD option only. On Standard models (S3) becomes the Function Switch.
- Buzzer** Signals the end of a Normal ROAST cycle (normal cooking) when time expires on the Normal ROAST timer.
- Normal Roast Timer** Counts the ROAST time (normal cooking) of the product and signals the buzzer at the end of the cycle. On ROAST & HOLD models only, when the function switch (S3) is set to Normal ROAST, this timer is used.
- Roast & Hold Timer** When the function switch (S3) is set to ROAST & HOLD, this timer must be used for ROAST & HOLD cooking. When the ROAST (then hold) time expires and the function switch is set to ROAST & HOLD, this timer is used to transfer control of the oven temperature to the Hold thermostat. Available on models with Roast & Hold option only.
- Door Switch** Allows the oven to operate when the doors are closed but stops the oven from operating when the doors are opened.

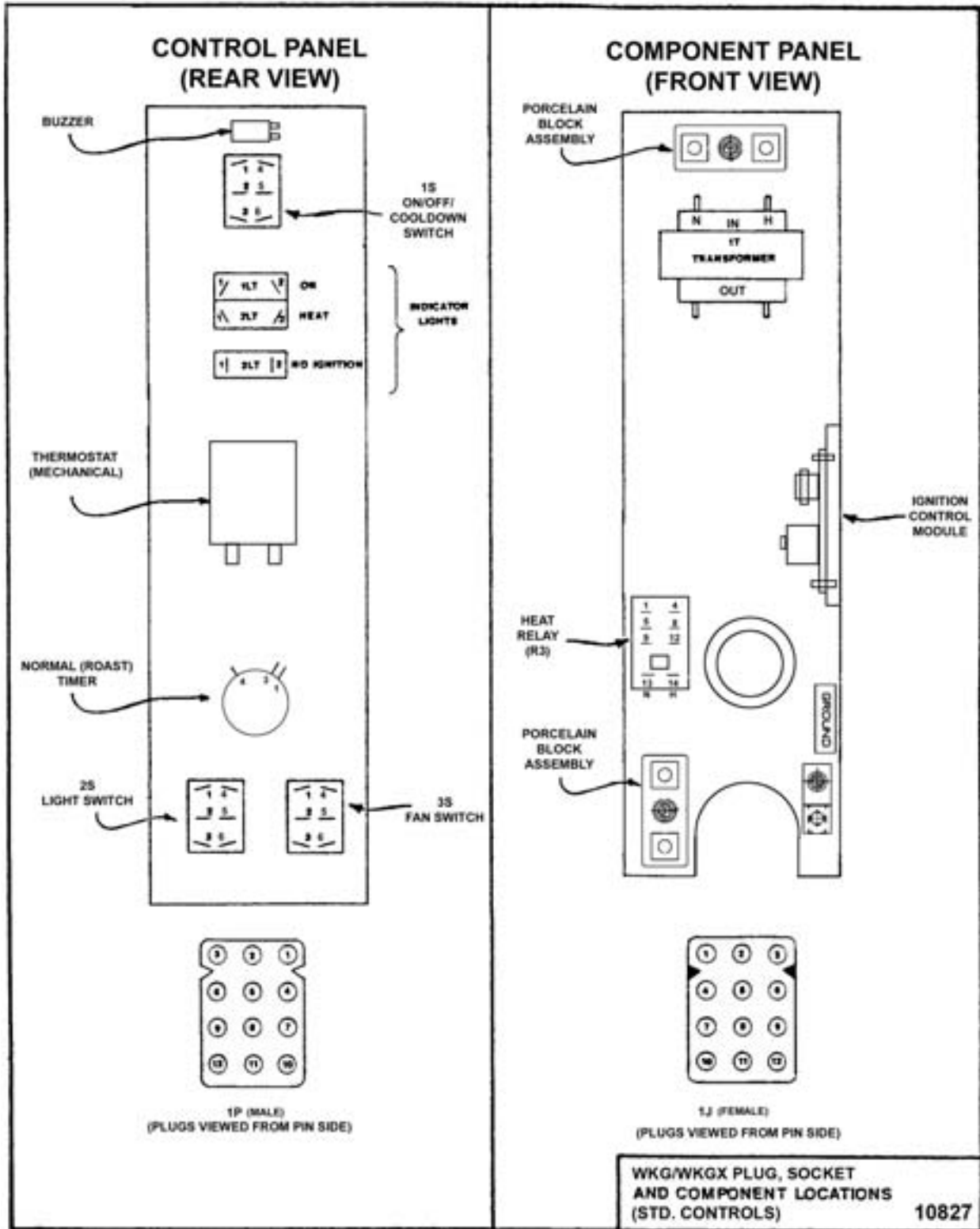
- Blower Motor** Operates the oven cavity blower (convection fan). Also, an internal centrifugal switch on the motor is utilized to allow the connection of power to the heat relay (R3) when the motor is at operating speed.
- Motor Speed Relay (R1)** Supplies power to the blower motor through (R1) relay contacts. Available on models with Roast & Hold option only.
- Hold Relay (R2)** Hold relay (R2) supplies power to the Hold thermostat for maintaining the fixed hold temperature in the oven cavity, after the ROAST & HOLD time expires.
- Transformer (T1)** Provides 24VAC power to the ignition control module and heating circuit.
- Solid State Temperature Control (WKGD/WKGDx)** Monitors temperature sensor and regulates the oven cavity temperature by controlling the heat relay (R3) through the blower motor centrifugal switch contacts.
- High Limit Thermostat** Protects the oven from temperatures above 550°F by removing power from the 1st valve (safety) on the dual solenoid gas valve which stops the flow of gas to the burner. Auto resets at 500°F.
- Computer Control (WKGC/WKGCX)** Monitors temperature sensor and regulates the oven cavity temperature by controlling the heat relay (R1) through the blower motor centrifugal switch contacts. Also, counts the ROAST time (normal cooking) of the product and signals the electronic alarm at the end of the cycle. If ROAST & HOLD mode is selected, when the ROAST (then hold) time expires, the oven heating stops and the oven enters HOLD mode. Once the oven cavity temperature drops to 150°F, the heat comes back on and the oven cycles at this temperature to hold the cooked product. Roast & Hold is standard on computer models.
- SSR1 & SSR2 (WKGC/WKGCX)** .. When SSR1 is energized by computer control, connects power to blower motor for Hi fan speed operation in normal ROAST mode. In ROAST & HOLD Mode only, SSR1 is de-energized and SSR2 is energized by computer control and connects power to blower motor for Low fan speed operation.
- Ignition Control Module** Controls the gas ignition cycle - Energizes the 2nd valve (main) on the dual solenoid gas valve, generates spark for burner ignition, monitors the presence of a flame and controls the No Ignition light. The ignition times are: 4 second self diagnostic test (initial power ON); 7 second ignition trial; 3 ignition trials with a 15 second purge between each trial.
- Igniter/Flame Sense** Ignites the gas and senses the presence of a flame. The flame presence generates a micro-amp FLAME SENSE current that is monitored by the ignition control module. A flame sense current of 0.7 micro amp (minimum) is required to maintain burner ignition.
- Power On Light** Lit whenever the power switch (S1) is turned to ON or Oven Cool mode.
- Heat Light** Lit whenever temperature control is calling for heat.
- No Ignition Light** Lit when power is turned ON, during ignition trial & gas purge time and when no flame is detected by flame sensor. If the oven fails to ignite after 3 attempts, it will remain lit until power is reset.

- Temperature Probe** Senses the oven temperature for the solid state temperature control or the computer control. On WKGD/WKGD_X models, converts the temperature into a resistance valve which is monitored by the temperature control board. The probe is an RTD (resistance temperature detector) of the Thermistor type. As temperature increases the resistance value decreases. On WKGC/WKGC_X models, the probe is a J type thermocouple.
- Gas Valve (Dual Solenoid)** Allows gas flow to the burner when the 1st valve (safety) and 2nd valve (main) solenoid coils are both energized.
- Cooling Fan** Circulates cooler air from rear of oven forward to cool components in the control area.
- Mechanical Temperature Control**
KX Thermostat (WKG/WKGX) Regulates the oven cavity temperature by controlling the heat relay (R3) through the blower motor centrifugal switch contacts. On ROAST & HOLD models only, power is first connected through one set of (R4) normally closed contacts (N.C.) then through the centrifugal switch contacts on the motor.
- Hold Thermostat (KX)** Holds the oven cavity temperature at 160°F after ROAST (then hold) time expires. For the oven to operate on the Hold thermostat, the ROAST & HOLD timer must be used and the Function Switch (S3) must be set to. Available on models with Roast & Hold option only.

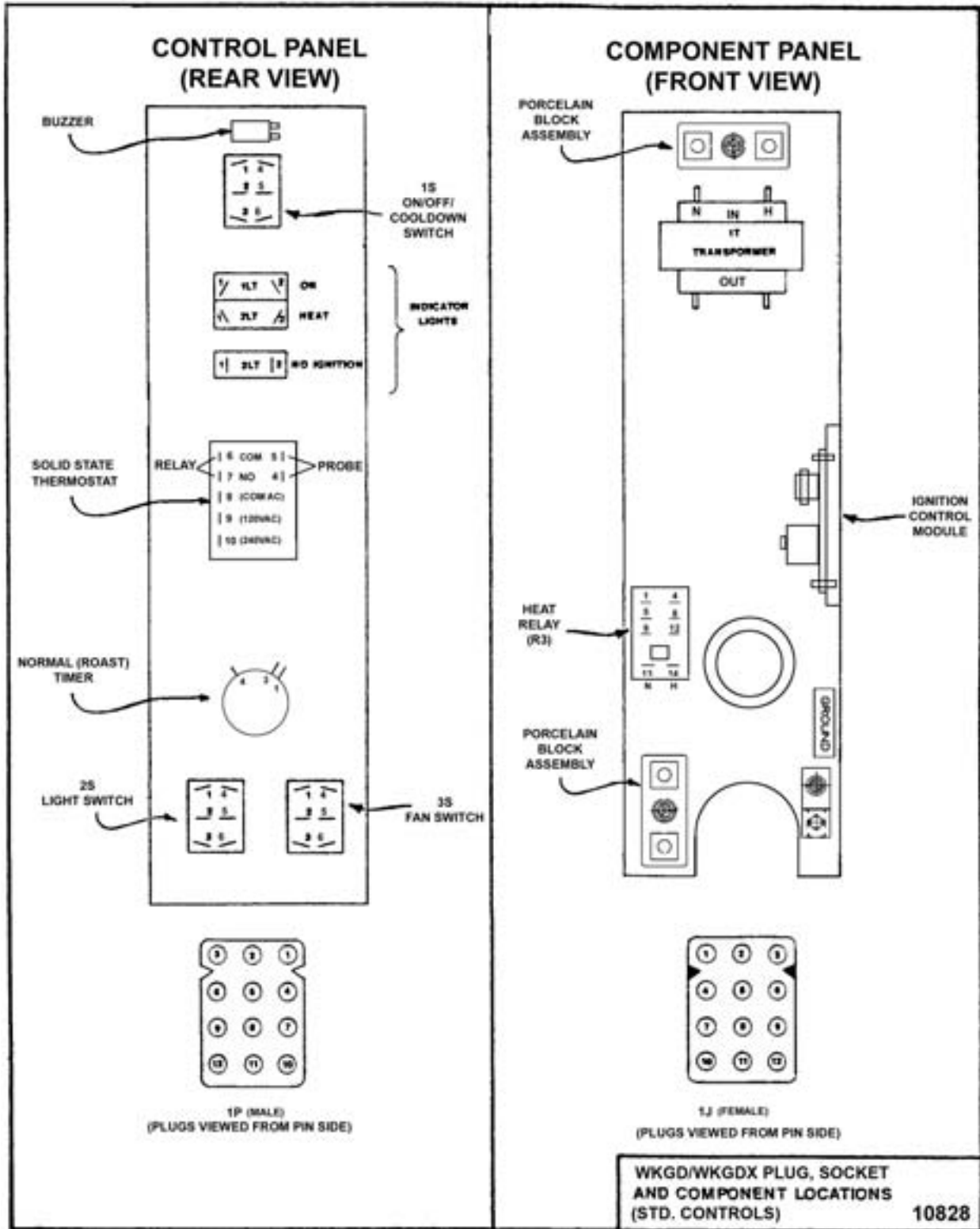
COMPONENT LOCATION



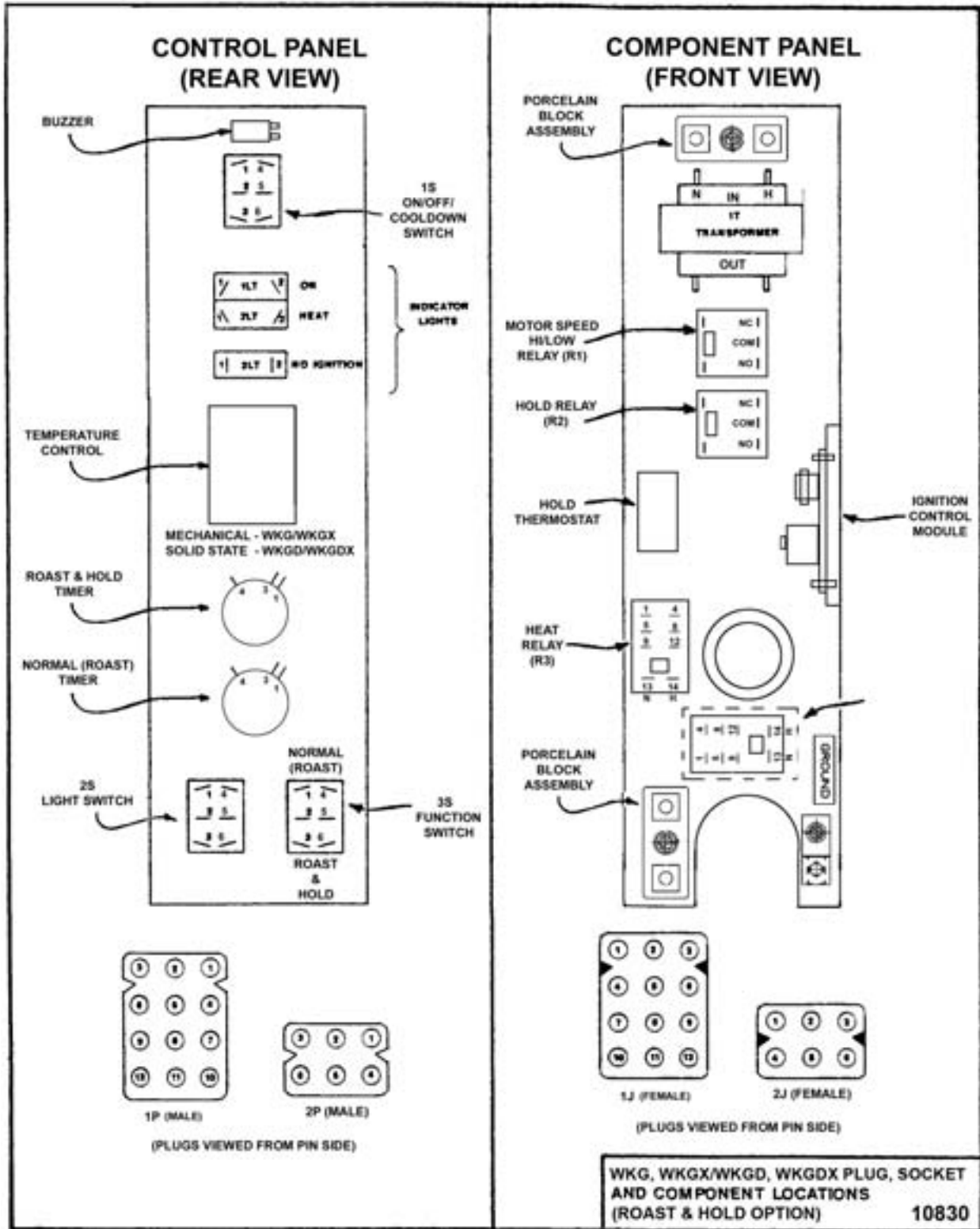
WKG/WKGX - Plug, Socket and Components (Standard Controls)



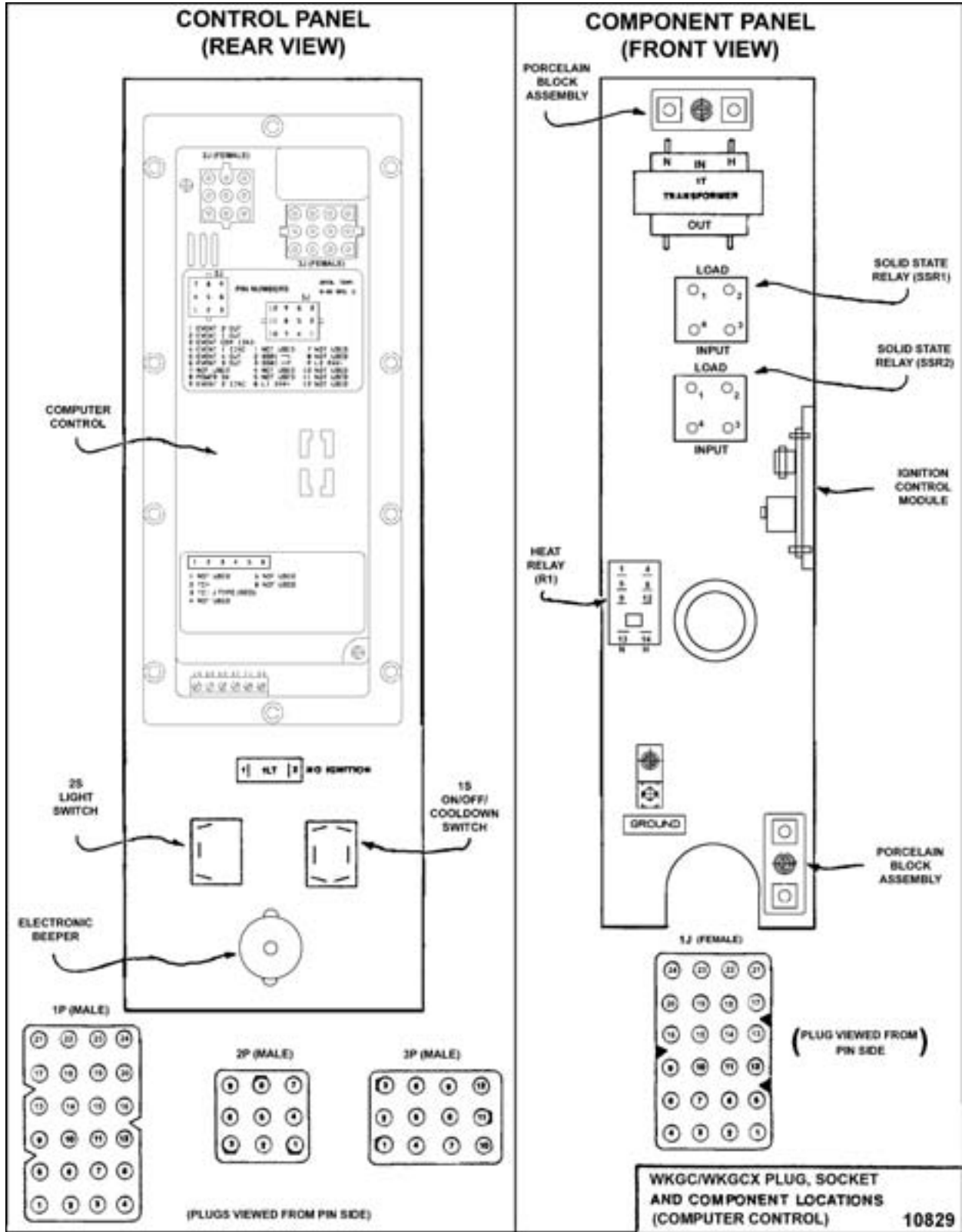
WKGD/WKGDx - Plug, Socket and Components (Standard Controls)



WKG, WKGX/WKGD, WKGDX - Plug, Socket and Components (Roast & Hold Option)



WKGC/WKGCX - Plug, Socket and Components (Roast & Hold Standard)



SEQUENCE OF OPERATION

WKG, WKGX With Roast & Hold Option (Mechanical KX Thermostat)

Schematic diagram 10832 will be used to explain the electrical sequence of operation for both the Normal ROAST cycle (normal cooking) and the ROAST & HOLD cycle.

Normal Roast Cycle

1. Conditions.
 - A. Oven connected to correct voltage.
 - 1) L1 (HOT) to power switch (S1).
 - 2) L2 (NEUTRAL or SECOND LINE) to one side of the following components: power ON light, heat light, oven cavity lights, buzzer, ROAST timer motor (normal cooking), ROAST & HOLD timer motor, heat relay coil (R3), convection fan motor common (C), transformer primary (T1), relay coil (R4), motor speed (Hi/Low) relay coil (R1), hold relay coil (R2) and the component cooling fan.
 - B. Oven properly grounded.
 - C. Gas supply valve ON.
 - D. Gas combination control valve ON.
 - E. Power switch (S1) OFF.
 - F. Function switch (S3) set to Normal ROAST cycle.
 - G. Oven light switch (S2) ON/OFF (position has no affect on the function of the Normal ROAST cycle).
 - H. Control thermostat dial in the OFF position (OPEN).
 - I. High limit switch CLOSED.
 - J. Roast timer (normal cooking) in the OFF position.
 - K. Roast and Hold timer in the OFF position.
 - L. Oven doors CLOSED.
 - 1) Door switch contacts CLOSED.
 - M. Oven cavity temperature below 140°F.
2. Set thermostat to desired Normal ROAST temperature (normal cooking).
 - A. Internal contacts close.
3. Power switch (S1) turned ON.
 - A. Power to motor speed (Hi/Low) relay (R1) normally open (N.O.) contacts and hold relay (R2) common (C).
 - B. Component cooling fan energized.

- C. Power ON light (Amber) comes ON.
- D. Power to one side of the following components: Normal ROAST timer terminal 1, ROAST & HOLD timer terminal 1, transformer primary (T1).

NOTE: Power is available to the oven light switch (wire #20) to turn the oven cavity lights ON when the light switch is turned ON; and power is available to the normally open N.O. side (wire #28) of the door switch contacts and connects power to additional components when the door switch contacts are CLOSED (door closed).

- 1) Transformer (T1) energized.
 - a. Power (24VAC) to one side of the following components: heat relay (R3) normally open (N.O.) contacts, high limit --- connected through the normally closed (N.C.) contacts to the 1st valve (safety) on the dual solenoid gas valve.
 - a) 1st valve (safety) on the gas valve energized.
- 2) With door switch closed, power is connected back through a second set of contacts on the power switch (S1), through the thermostat contacts, through one set of relay R4 normally closed (N.C.) contacts, to one side of the centrifugal switch on the convection fan motor.
 - a. Heat light (clear) comes ON.
- 3) Power is also connected through the other set of relay R4 normally closed (N.C.) contacts to the other side of motor speed relay (R1).
 - a. Motor speed relay (R1) energized, contacts change state and the normally open (N.O.) set of contacts close.
 - a) Power is connected through the function switch (S3) contacts and the convection fan motor is energized (fan speed Hi).

- b. When the convection fan motor reaches operating speed, the centrifugal switch on the motor closes. The heat relay (R3) is then energized, R3 relay contacts normally open (N.O.) close and the heating circuit is powered.
 - a) Ignition control module is energized.
 - b) No ignition light (red) comes ON, module performs a self diagnostic test for 4 seconds, 2nd valve (main) on the gas valve is energized. Gas starts to flow to the burner, sparking begins, the NO IGNITION light goes out and burner lights. Sparking continues for up to 7 seconds or until a flame is established. If a flame is SENSED, the NO IGNITION light stays out and burner remains lit.

If a flame is not SENSED after 7 seconds of sparking, the NO IGNITION light comes back on, 2nd valve (main) on the gas valve is de-energized and gas flow to the burner stops. Ignition trial cycle repeats after a 15 second purge between cycles for two additional tries before locking out. To reset after a lockout, turn power switch (S1) OFF then ON.

- 4. Oven reaches set temperature and thermostat opens.
 - A. Heat light goes out.
 - B. Power removed from heat relay (R3).
 - 1) R3 normally open (N.O.) contacts open.
 - a. Power removed from 2nd valve (main) on the gas valve and gas flow to the burner stops.
- 5. The oven will continue to cycle on the thermostat until the doors are opened or the power switch (S1) is turned to the OFF or OVEN COOL position.

Timer Cycle (Normal Roast Cooking)

NOTE: The ROAST timer (normal cooking) operates independently of the heating cycle. Additional time can be set or the timer can be turned OFF throughout the cooking cycle.

- 1. With the power switch turned ON, power is supplied to timer.
- 2. Set ROAST timer to desired time (normal cooking).
 - A. Contacts 1 & 3 close, timer motor is energized and timing DOWN begins.
- 3. Time expires on ROAST timer (normal cooking).
 - A. Contacts 1 & 3 open, timer motor is de-energized and timing stops.
 - B. Contacts 1 & 4 close.
 - 1) Buzzer energized and sounds.

NOTE: The buzzer continues to sound until the timer dial is set to the OFF position or additional time is set.

Roast and Hold Cycle

NOTE: Refer to the Owner's Manual for a detailed explanation of ROAST & HOLD cooking.

- 1. Conditions.
 - A. Oven connected to correct voltage.
 - 1) L1 (HOT) to power switch (S1).
 - 2) L2 (NEUTRAL or SECOND LINE) to one side of the following components: power ON light, heat light, oven cavity lights, buzzer, ROAST timer motor (normal cooking), ROAST & HOLD timer motor, heat relay coil (R3), convection fan motor (C), transformer primary (T1), relay coil (R4), motor speed relay coil (R1), hold relay coil (R2) and the component cooling fan.
 - B. Oven properly grounded.
 - C. Gas supply valve ON.
 - D. Gas combination control valve ON.
 - E. Power switch (S1) OFF.
 - F. Function switch (S3) set to ROAST & HOLD cycle.
 - G. Oven light switch (S2) ON/OFF (position has no affect on the function of the Roast & Hold cycle).
 - H. Control thermostat in the OFF position (OPEN).
 - I. High limit switch CLOSED.

- J. Roast timer (normal cooking) in the OFF position.
 - K. Roast and Hold timer in the OFF position.
 - L. Oven doors Closed.
 - 1) Door switch contacts CLOSED.
 - M. Oven cavity temperature below 140°F.
2. Set controlling thermostat to desired ROAST then Hold temperature (Roast & Hold cooking).

NOTE: This is considered first stage cooking in the ROAST & HOLD cycle.

- A. Internal contacts close.
3. Power switch (S1) turned ON.
- A. Power to motor speed (Hi/Low) relay (R1) normally open (N.O.) contacts and hold relay (R2) common (C).
 - B. Component cooling fan energized.
 - C. Power ON light (Amber) comes ON.
 - D. Power to one side of the following components: Normal ROAST timer terminal 1, ROAST & HOLD timer terminal 1, transformer primary (T1).

NOTE: Power is available to the oven light switch (wire #20) to turn the oven cavity lights ON when the light switch is turned ON; and power is available to the normally open N.O. side (wire #28) of the door switch contacts and connects power to additional components when the door switch contacts are CLOSED (door closed).

- 1) Transformer (T1) energized.
 - a. Power (24VAC) to one side of the following components: heat relay (R3) normally open (N.O.) contacts, high limit—connected through the normally closed (N.C.) contacts to the 1st valve (safety) on the dual solenoid gas valve.

- a) 1st valve (safety) on the gas valve energized.

NOTE: Gas does not flow to the burner until the 2nd valve (main) is energized.

- 2) With door switch closed, power is connected through a second set of contacts on the power switch (S1), through the thermostat contacts, through one set of relay R4 normally closed (N.C.) contacts, to one side of the centrifugal switch on the convection fan motor.

- a. Heat light (clear) comes ON.
- 3) Power is also connected through the another set of relay R4 normally closed (N.C.) contacts to the other side of motor speed relay (R1).
- a. Motor speed relay (R1) energized, contacts change state and the normally open (N.O.) set of contacts close.

- a) Convection fan motor energized (fan speed low).

NOTE: In the ROAST & HOLD cycle, the fan speed is fixed at low.

- b. When the convection fan motor reaches operating speed, the centrifugal switch on the motor closes. The heat relay (R3) is then energized, R3 relay contacts normally open (N.O.) close and the heating circuit is powered.
 - a) Ignition control module is energized.
 - b) No ignition light (red) comes ON, module performs a self diagnostic test for 4 seconds, 2nd valve (main) on the gas valve is energized. Gas starts to flow to the burner, sparking begins, the NO IGNITION light goes out and burner lights. Sparking continues for up to 7 seconds or until a flame is established. If a flame is SENSED, the NO IGNITION light stays out and burner remains lit.

If a flame is not SENSED after 7 seconds of sparking, the NO IGNITION light comes back on, 2nd valve (main) on the gas valve is de-energized and gas flow to the burner stops. Ignition trial cycle repeats after a 15 second purge between cycles for two additional tries before locking out. To reset after a lockout, turn power switch (S1) OFF then ON.

- 4. Oven reaches set temperature and controlling thermostat opens.
 - A. Heat light goes out.
 - B. Power removed from heat relay (R3).

- 1) R3 normally open (N.O.) contacts open.
 - a. Ignition control module de-energized.
 - a) Power removed from 2nd valve (main) on the gas valve and gas flow to the burner stops.

NOTE: This is considered first stage cooking in the ROAST AND HOLD cycle.

5. The oven will continue to cycle on the controlling thermostat until one of the following occurs: ROAST & HOLD time (R & H cooking) expires which allows the oven to go into Hold mode; Power switch (S1) is turned to the OFF or OVEN COOL position or the doors are opened.

Timer Cycle (Roast & Hold Cooking)

NOTE: The ROAST & HOLD timer operates independently of the heating cycle until time expires. Regulation of the oven temperature is then transferred to the Hold thermostat until one of the following occurs: ROAST & HOLD timer is turned OFF and the function switch (S3) is turned back to Normal ROAST (normal cooking) or power switch (S1) is turned to the OFF or OVEN COOL position.

1. With the power switch turned ON, power is supplied to timer.
2. Set ROAST & HOLD timer to desired time (Roast & Hold cooking).

NOTE: To Roast then Hold the cooked product at a fixed temperature, the Roast & Hold timer must be used and the function switch (S3) must also be set to Roast & Hold as indicated under step1 conditions for the Roast & Hold cycle.

- A. Contacts 1 & 3 close, timer motor is energized and timing DOWN begins.
3. Time expires on Roast & Hold timer.
 - A. Contacts 1 & 3 open, timer motor is de-energized and timing stops.
 - B. Contacts 1 & 4 close.
 - 1) If the oven was heating, then the gas burner and heat light go out; If the oven was not heating, then the gas burner and heat light remain out.
 - 2) Hold relay (R2) is energized, R2 contacts change state and the normally open (N.O.) contacts close.
 - a. Power to one side of hold thermostat.

NOTE: When temperature is above 160°F (±12) the hold thermostat contacts are open.

- 3) Relay R4 is energized, R4 contacts change state and both sets of normally closed (N.C.) contacts transfer to the normally open (N.O.) position. Power is not transferred until the hold thermostat contacts close.

NOTE: This is considered second stage cooking in the ROAST AND HOLD cycle where the stored heat in the oven continues to cook the product.

4. Oven temperature falls below 160°F (±12) and hold thermostat contacts close.

- A. Heat light comes ON.
- B. Motor speed relay (R1) is energized through one set of R4 (N.C.) contacts.
 - 1) Convection fan motor energized (fan speed low).
- C. Power is applied to one side of the centrifugal switch on the convection fan motor through the other set of R4 (N.C.) contacts.
- D. When the convection fan motor reaches operating speed, the centrifugal switch on the motor closes.
 - 1) Heat relay (R3) is energized.
 - a. Heat relay (R3) contacts (N.O.) close and the heating circuit is powered.
 - a) Ignition control module is energized.
 - b) No ignition light (red) comes ON, module performs a self diagnostic test for 4 seconds, 2nd valve (main) on the gas valve is energized. Gas starts to flow to the burner, sparking begins, the NO IGNITION light goes out and burner lights. Sparking continues for up to 7 seconds or until a flame is established. If a flame is SENSED, the NO IGNITION light stays out and burner remains lit.

If a flame is not SENSED after 7 seconds of sparking, the NO IGNITION light comes back on, 2nd valve (main) on the gas valve is de-energized and gas flow to the burner stops. Ignition

trial cycle repeats after a 15 second purge between cycles for two additional tries before locking out. To reset after a lockout, turn power switch (S1) OFF then ON.

5. Oven reaches the fixed HOLD temperature and the hold thermostat opens.
 - A. Heat light goes out.
 - B. Power removed from heat relay (R3) and the contacts open (N.O.).
 - 1) Ignition control module de-energized.
 - a. Power removed from 2nd valve (main) on the gas valve and gas flow to the burner stops.
 - C. Power is also removed from motor speed relay (R1).
 - 1) Convection fan motor de-energized and fan stops rotating.
6. The oven will continue to cycle on the hold thermostat until the ROAST & HOLD timer is turned to the OFF position, the function switch (S3) is changed back to ROAST (normal cooking) or the power switch (S1) is turned to the OFF or OVEN COOL position.

WKGD, WKGDx With Roast & Hold Option (Solid State Temperature Control)

Schematic diagram 10834 will be used to explain the electrical sequence of operation for both the Normal ROAST cycle (normal cooking) and the ROAST & HOLD cycle.

Normal Roast Cycle

1. Conditions.
 - A. Oven connected to correct voltage.
 - 1) L1 (HOT) to power switch (S1).
 - 2) L2 (NEUTRAL or SECOND LINE) to one side of the following components: power ON light, heat light, temperature control board terminal 9 (120VAC) or terminal 10 (208-240VAC), oven cavity lights, buzzer, ROAST timer motor (normal cooking), ROAST & HOLD timer motor, heat relay coil (R3), convection fan motor common (C), transformer primary (T1), motor speed (Hi/Low) relay coil (R1), hold relay coil (R2) and the component cooling fan.
 - B. Oven properly grounded.
 - C. Gas supply valve ON.
 - D. Gas combination control valve ON.

- E. Power switch (S1) OFF.
- F. Function switch (S3) set to Normal ROAST cycle.
- G. Oven light switch (S2) ON/OFF (position has no affect on the function of the Normal ROAST cycle).
- H. Temperature control dial set to lowest temperature (fully counterclockwise).
- I. High limit switch CLOSED.
- J. Roast timer (normal cooking) in the OFF position.
- K. Roast and Hold timer in the OFF position.
- L. Oven doors Closed.
 - 1) Door switch contacts CLOSED.
- M. Oven cavity temperature below 140°F.
2. Set temperature control dial to desired ROAST then HOLD temperature (Roast & Hold cooking).
3. Power switch (S1) turned ON.
 - A. Component cooling fan energized.
 - B. Power ON light (Amber) comes ON.
 - C. Power to one side of the following components: Normal ROAST timer terminal 1, ROAST & HOLD timer terminal 1, transformer primary (T1).

NOTE: Power is available to the oven light switch (wire #20) to turn the oven cavity lights ON when the light switch is turned ON; and power is available to the normally open N.O. side (wire #28) of the door switch contacts and connects power to additional components when the door switch contacts are CLOSED (door closed).

- 1) Transformer (T1) energized.
 - a. Power (24VAC) to one side of the following components: heat relay (R3) normally open (N.O.) contacts, high limit --- connected through the normally closed (N.C.) contacts to the 1st valve (safety) on the dual solenoid gas valve.
 - a) 1st valve (safety) on the gas valve energized.

NOTE: Gas does not flow to the burner until the 2nd valve (main) is energized.

- 2) With door switch closed, power is applied to motor speed (Hi/Low) relay (R1) normally open (N.O.) contacts and hold relay (R2) common (C).

- a. Motor speed relay (R1) is energized through hold relay (R2) normally closed contacts (N.C.). Relay contacts (R1) change state and the normally open (N.O.) set of contacts close.
- a) Power is connected through the function switch (S3) contacts and convection fan motor is energized (fan speed hi).
- b) When the convection fan motor reaches operating speed, the centrifugal switch (N.O.) on the motor closes.
- c) Power to normally open (N.O.) side of internal relay contacts (terminal 7) on the temperature control board.
- 3) Power is also connected back through a second set of contacts on the power switch (S1) to terminal 8 on the temperature control board.
- a. Solid state temperature control energized. If the oven temperature is below set point, the temperature control will energize its internal relay. The normally open (N.O.) contacts close and apply power to the following components:
- a) Heat light (clear) comes ON.
- b) Power is connected through the centrifugal switch contacts on the convection fan motor, heat relay (R3) is energized, (R3) contacts (N.O.) close and the heating circuit is powered.
- c) Ignition control module is energized.
- d) No ignition light (red) comes ON, module performs a self diagnostic test for 4 seconds, 2nd valve (main) on the gas valve is energized. Gas starts to flow to the burner, sparking begins, the NO IGNITION light goes out and burner lights. Sparking continues for up to 7 seconds or until a flame is established. If a flame is SENSED, the NO IGNITION light stays out and burner remains lit.
- If a flame is not SENSED after 7 seconds of sparking, the NO IGNITION light comes back on, 2nd valve (main) on the gas valve is de-energized and gas flow to the burner stops. Ignition trial cycle repeats after a 15 second purge between cycles for two additional tries before locking out. To reset after a lockout, turn power switch (S1) OFF then ON.
4. Oven reaches set temperature.
- A. Temperature control de-energizes internal relay and the normally open (N.O.) contacts OPEN.
- 1) Heat light goes out.
- 2) Power removed from heat relay (R3).
- a. R3 normally open (N.O.) contacts OPEN.
- a) Power removed from 2nd valve (main) on the gas valve and gas flow to the burner stops.
5. The oven will continue to cycle on the temperature control until the doors are opened or power switch (S1) is turned to the OFF or OVEN COOL position.

Timer Cycle (Normal Roast Cooking)

NOTE: The ROAST timer (normal cooking) operates independently of the heating cycle. Additional time can be set or the timer can be turned OFF throughout the cooking cycle.

1. With the power switch turned ON, power is supplied to timer.
- A. Set ROAST timer to desired time (normal cooking).
- B. Contacts 1 & 3 close, timer motor is energized and timing DOWN begins.
2. Time expires on ROAST timer (normal cooking).
- A. Contacts 1 & 3 open, timer motor is de-energized and timing stops.
- B. Contacts 1 & 4 close.
- 1) Buzzer energized and sounds.

NOTE: The buzzer continues to sound until the timer dial is set to the OFF position or additional time is set.

Roast and Hold Cycle

NOTE: Refer to the Owner's Manual for a detailed explanation of ROAST & HOLD cooking.

1. Conditions.
 - A. Oven connected to correct voltage.
 - 1) L1 (HOT) to power switch (S1).
 - 2) L2 (NEUTRAL or SECOND LINE) to one side of the following components: power ON light, heat light, temperature control board terminal 9 (120VAC) or terminal 10 (208-240VAC), oven cavity lights, buzzer, ROAST timer motor (normal cooking), ROAST & HOLD timer motor, heat relay coil (R3), convection fan motor common (C), transformer primary (T1), motor speed (Hi/Low) relay coil (R1), hold relay coil (R2) and the component cooling fan.
 - B. Oven properly grounded.
 - C. Gas supply valve ON.
 - D. Gas combination control valve ON.
 - E. Power switch (S1) OFF.
 - F. Function switch (S3) set to ROAST & HOLD cycle.
 - G. Oven light switch (S2) ON/OFF (position has no affect on the function of the ROAST & HOLD cycle).
 - H. Temperature control dial set to lowest temperature (fully counterclockwise).
 - I. High limit switch CLOSED.
 - J. Roast timer (normal cooking) in the OFF position.
 - K. Roast and Hold timer in the OFF position.
 - L. Oven doors Closed.
 - 1) Door switch contacts CLOSED.
 - M. Oven cavity temperature below 140°F.
2. Set temperature control dial to desired ROAST then Hold temperature (Roast & Hold cooking).
3. Power switch (S1) turned ON.
 - A. Component cooling fan energized.
 - B. Power ON light (Amber) comes ON.
 - C. Power to one side of the following components: Normal ROAST timer terminal 1, ROAST & HOLD timer terminal 1, transformer primary (T1).

NOTE: Power is available to the oven light switch (wire #20) to turn the oven cavity lights ON when the light switch is turned ON; and power is available to the normally open N.O. side (wire #28) of the door switch contacts and connects power to additional components when the door switch contacts are CLOSED (door closed).

- 1) Transformer (T1) energized.
 - a. Power (24VAC) to one side of the following components: heat relay (R3) normally open (N.O.) contacts, high limit --- connected through the normally closed (N.C.) contacts to the 1st valve (safety) on the dual solenoid gas valve.
 - a) 1st valve (safety) on the gas valve energized.
- NOTE:** Gas does not flow to the burner until the 2nd valve (main) is energized.
- 2) With door switch closed, power is applied to motor speed (Hi/Low) relay (R1) normally open (N.O.) contacts and hold relay (R2) common (C).
 - a. Motor speed relay (R1) is energized through hold relay (R2) normally closed contacts (N.C.). Relay contacts (R1) change state and the normally open (N.O.) set of contacts close.
 - a) Power is connected through the function switch (S3) contacts and convection fan motor is energized (fan speed low).
 - NOTE:** In the ROAST & HOLD cycle, the fan speed is fixed at low.
 - b) When the convection fan motor reaches operating speed, the centrifugal switch (N.O.) on the motor closes.
 - c) Power to normally open (N.O.) side of internal relay contacts (terminal 7) on the temperature control board.
- 3) Power is also connected back through a second set of contacts on the power switch (S1) to terminal 8 on the temperature control board.

a. Solid state temperature control energized. If the oven temperature is below set point, the temperature control will energize its internal relay. The normally open (N.O.) contacts close and apply power to the following components:

- a) Heat light (clear) comes ON.
- b) Power is connected through the centrifugal switch contacts on the convection fan motor, heat relay (R3) is energized, (R3) contacts (N.O.) close and the heating circuit is powered.
- c) Ignition control module is energized.
- d) No ignition light (red) comes ON, module performs a self diagnostic test for 4 seconds, 2nd valve (main) on the gas valve is energized. Gas starts to flow to the burner, sparking begins, the NO IGNITION light goes out and burner lights. Sparking continues for up to 7 seconds or until a flame is established. If a flame is SENSED, the NO IGNITION light stays out and burner remains lit.

If a flame is not SENSED after 7 seconds of sparking, the NO IGNITION light comes back on, 2nd valve (main) on the gas valve is de-energized and gas flow to the burner stops. Ignition trial cycle repeats after a 15 second purge between cycles for two additional tries before locking out. To reset after a lockout, turn power switch (S1) OFF then ON.

4. Oven reaches set temperature.

- A. Temperature control de-energizes internal relay and the normally open (N.O.) contacts OPEN.
 - 1) Heat light goes out.
 - 2) Power removed from heat relay (R3).
 - a. R3 normally open (N.O.) contacts OPEN.

a) Power removed from 2nd valve (main) on the gas valve and gas flow to the burner stops.

NOTE: This is considered first stage cooking in the ROAST & HOLD cycle.

5. The oven will continue to cycle on the temperature control until one of the following occurs: ROAST & HOLD time (R & H cooking) expires which allows the oven to go into Hold mode; Power switch (S1) is turned to the OFF or OVEN COOL position or the doors are opened.

Timer Cycle (Roast & Hold Cooking)

NOTE: The ROAST & HOLD timer operates independently of the heating cycle until time expires. Regulation of the oven temperature is then turned over to the Hold thermostat until one of the following occurs: ROAST & HOLD timer is turned OFF; function switch (S3) is turned back to Normal ROAST (normal cooking) or Power switch (S1) is turned to the OFF or OVEN COOL position.

1. With the power switch turned ON, power is supplied to timer.
2. Set ROAST & HOLD timer to desired time (Roast & Hold cooking).

NOTE: To Roast then Hold the cooked product at a fixed temperature, the Roast & Hold timer must be used and the function switch (S3) must also be set to Roast & Hold as indicated under step1 conditions for the Roast & Hold cycle.

- A. Contacts 1 & 3 close, timer motor is energized and timing DOWN begins.
3. Time expires on Roast & Hold timer.
 - A. Contacts 1 & 3 open, timer motor is de-energized and timing stops.
 - B. Contacts 1 & 4 close.
 - 1) If the oven was heating, then the gas burner and heat light go out; If the oven was not heating, then the gas burner and heat light remain out.

NOTE: The Temperature control board remains powered and the internal relay contacts remain closed as long as oven cavity temperature is below the 175°F minimum set point temperature of the board and power is ON.

- 2) Power is connected through function switch (S3) --- Hold relay (R2) is then energized, R2 contacts change state and the normally open (N.O.) contacts close.

- a. Power to one side of hold thermostat.

NOTE: When temperature is above 160°F (±12) the hold thermostat contacts are open.

- 3) Motor speed relay (R1) de-energized, (R1) contacts change state and the normally open (N.O.) contacts OPEN.

- a. Convection fan motor stops and centrifugal switch (N.O.) on motor OPENS.

- a) Heat relay (R3) de-energized, relay (R3) contacts open and oven heating stops.

NOTE: This is considered second stage cooking in the ROAST & HOLD cycle where the stored heat in the oven continues to cook the product.

- 4. Oven temperature falls below 160°F (±12) and hold thermostat contacts close.

- A. Heat light comes ON.
- B. Motor speed relay (R1) is energized, (R1) contacts change state and the normally open (N.O.) contacts CLOSE.
 - 1) Convection fan motor energized (fan speed low).
- C. Power is also applied to one side of the centrifugal switch on the convection fan motor through the temperature control internal relay (N.O.) contacts.
- D. When the convection fan motor reaches operating speed, the centrifugal switch on the motor closes.

- 1) Heat relay (R3) is energized.
 - a. Heat relay (R3) contacts (N.O.) close and the heating circuit is powered.
 - a) Ignition module is energized.
 - b) No ignition light (red) comes ON, module performs a self diagnostic test for 4 seconds, 2nd valve (main) on the gas valve is energized. Gas starts to flow to the burner, sparking begins, the NO IGNITION light goes out and burner lights. Sparking continues for up to 7 seconds or until a flame is established. If a flame is SENSED, the NO

IGNITION light stays out and burner remains lit.

If a flame is not SENSED after 7 seconds of sparking, the NO IGNITION light comes back on, 2nd valve (main) on the gas valve is de-energized and gas flow to the burner stops. Ignition trial cycle repeats after a 15 second purge between cycles for two additional tries before locking out. To reset after a lockout, turn power switch (S1) OFF then ON.

- 5. Oven reaches the FIXED hold temperature and hold thermostat opens.

- A. Heat light goes out.
- B. Power removed from heat relay (R3) and the contacts open (N.O.).
 - 1) Ignition control module de-energized.
 - a. Power removed from 2nd valve (main) on the gas valve and gas flow to the burner stops.
- C. Power is also removed from motor speed relay (R1).
 - 1) Convection fan motor de-energized and fan stops rotating.

- 6. The oven will continue to cycle on the hold thermostat until the ROAST & HOLD timer is turned to the OFF position and the function switch (S3) is change back to ROAST (normal cooking) or the power switch (S1) is turned to the OFF or OVEN COOL position.

Oven Cool Cycle (Solid State Temperature Control)

NOTE: The electrical sequence of operation for the OVEN COOL cycle is written for ovens with the ROAST & HOLD option.

- 1. Conditions.
 - A. Oven is ON.
 - B. Oven cavity temperature needs to be lowered.
 - C. Doors are open.
 - 1) Door switch contacts OPEN.
 - D. Roast and Hold timer in the OFF position.
 - E. Roast timer (normal cooking) in the OFF position.
 - F. Function switch (S3) set to either Normal ROAST cycle or ROAST & HOLD cycle.

2. Power Switch (S1) turned to OVEN COOL.

NOTE: With door switch contacts OPEN (doors open), the convection fan motor will still run and continue to cool the oven. However, power would be removed from the following components: Power ON light (goes out), Normal ROAST timer, ROAST & HOLD timer, transformer T1 (de-energized) and to the component cooling fan.

A. Power to motor speed (Hi/Low) relay (R1) normally open (N.O.) contacts and to common (C) on hold relay (R2). Power is then connected through hold relay (R2) normally closed (N.C.) contacts to motor speed (Hi/Low) relay (R1) coil.

1) Motor speed (Hi/Low) relay (R1) is energized and contacts change state.

a. Power is connected through motor speed (Hi/Low) relay normally open (N.O.) contacts, through function switch (S3) to Convection fan motor.

a) Convection fan motor energized.

NOTE: If function switch (S3) is set to Normal ROAST cycle, fan speed will be high; if set to ROAST & HOLD cycle, fan speed will be low.

b) When Convection fan motor reaches operating speed the centrifugal switch on the motor closes but no power is available for connection to other components.

B. Power to one side of the hold thermostat contacts but is not transferred to other components due to oven cavity temperature above 160°F (thermostat OPEN).

C. Power to terminal 7 on the solid state temperature control but is not transferred to other components due to temperature control not being powered.

3. If door switch is CLOSED (doors closed), power is supplied to one side of the following components: Power ON light (Amber), oven light switch (S2), Normal ROAST timer terminal 1, ROAST & HOLD timer terminal 1, transformer primary (T1) and component cooling fan.

1) Power ON light (Amber) comes ON.

2) Transformer (T1) energized.

a. Power (24VAC) to one side of the following components: heat relay (R3) normally open (N.O.) contacts, high limit --- connected through the normally closed (N.C.) contacts to the 1st valve (safety) on the dual solenoid gas valve.

a) 1st valve (safety) on the gas valve energized.

NOTE: Gas does not flow to the burner until the 2nd valve (main) is energized.

3) Component cooling fan.

4. The oven will remain in this condition until the power switch (S1) is turned to the OFF or ON position.

**WKGK, WKGKX
(Roast & Hold Standard on Computer Model)**

Schematic diagram 10835 will be used to explain the electrical sequence of operation for both the ROAST cycle (normal cooking) and the ROAST & HOLD cycle.

Roast Cycle (Normal Cooking)

1. Conditions.

A. Oven connected to correct voltage.

1) L1 (HOT) to power switch (S1).

2) L2 (NEUTRAL or SECOND LINE) to one side of the following components: oven cavity lights, convection fan motor common (C), transformer primary (T1), component cooling fan and the heat relay coil (R1).

B. Oven properly grounded.

1) Ground (GND) to one side of the following components: computer control case, NO IGNITION light, transformer secondary (T1), ignition control module, the 1st valve (safety) and 2nd valve (main) on the dual solenoid gas valve and computer control pin 9 (C3-9).

C. Gas supply valve ON.

D. Gas combination control valve ON.

E. Power switch (S1) OFF.

F. Computer control is setup properly and ready to use.

G. Oven light switch (S2) ON/OFF (position has no affect on the function of the ROAST cycle).

H. High limit switch CLOSED.

- I. Oven doors Closed.
 1) Door switch contacts CLOSED.
- J. Oven cavity temperature below 140°F.
2. Power switch (S1) turned ON.
- A. Power (120VAC) to computer control pin 3 (C3-3).
NOTE: Power at pin 3 is not transferred to other components until computer control is energized and operating conditions are met.
- B. Power is available to the oven light switch (S2).
- C. Power to terminal 1 on solid state relay 1 (SSR1 -load side) and solid state relay 2 (SSR2 -load side).
- D. Component cooling fan energized.
- E. Transformer (T1) is energized.
- 1) Power (24VAC) to one side of the following components: heat relay (R1) normally open (N.O.) contacts, high limit --- connected through the normally closed (N.C.) contacts to the 1st valve (safety) on the dual solenoid gas valve.
 a. 1st valve (safety) on the gas valve energized.
NOTE: Gas does not flow to the burner until the 2nd valve (main) is energized.
- 2) Power (24VAC) to the oven computer control.
 a. Control is energized and performs a power ON self test before energizing outputs.
NOTE: If the control passes self test, then the outputs are energized and operation sequence continues. If control does not pass self test then the corresponding error code is displayed.
 b. Computer control senses oven cavity temperature.
 a) With the oven cavity temperature below set point, the controls 120VAC output from pin C3-2 is activated and power is connected to the common (C) side of the centrifugal switch contacts on the convection fan motor.
NOTE: The set point temperature of the computer control will be the last temperature that was set.
- NOTE:** Power is not applied to the heat relay coil (R1) until the centrifugal switch contacts on the convection fan motor close.
- c. The controls 5VDC output from pins C2-2 (-) and C2-8 (+) is activated and SSR1 relay is energized.
 a) Convection fan motor is energized (fan speed hi).
 b) When the convection fan motor reaches operating speed, the centrifugal switch (N.O.) on the motor closes.
- 3) With the 120VAC output from the control activated and the centrifugal switch on the convection fan motor closed, power is applied to the heat relay coil (R1).
 a. Heat relay coil (R1) is energized, (R1) contacts (N.O.) close and the heating circuit is powered.
 b. Oven HEAT LIGHT on the control comes ON.
 c. Ignition control module is energized.
 a) No ignition light (red) comes ON, module performs a self diagnostic test for 4 seconds, 2nd valve (main) on the gas valve is energized. Gas starts to flow to the burner, sparking begins, the NO IGNITION light goes out and burner lights. Sparking continues for up to 7 seconds or until a flame is established. If a flame is SENSED, the NO IGNITION light stays out and burner remains lit.
 If a flame is not SENSED after 7 seconds of sparking, the NO IGNITION light comes back on, 2nd valve (main) on the gas valve is de-energized and gas flow to the burner stops. Ignition trial cycle repeats after a 15 second purge between cycles for two additional tries before locking out. To reset after a lockout, turn power switch (S1) OFF then ON.

3. Oven reaches set point temperature.
 - A. Computer control de-activates the 120VAC output to heat relay (R1).
 - 1) Heat relay (R1) de-energized and the normally open (N.O.) contacts OPEN.
 - a. Power removed from ignition control module.
 - a) The 2nd valve (main) on the gas valve is de-energized and gas flow to the burner stops.
 - B. Oven HEAT LIGHT on the control goes out.
 - C. Oven READY LIGHT on the control comes ON.
 - D. Electronic beeper sounds momentarily.
4. The oven will continue to cycle on the computer control until the doors are opened or power switch (S1) is turned to the OFF or OVEN COOL position.

Temperature and Time Cycle (Cooking)

NOTE: The computers internal COOK timer operates independently of the heating cycle. Additional time can be set or the timer can be stopped and re-started throughout the cooking cycle.

Refer to the Owners's Manual for specific operating instructions of the oven Computer Control.

Roast and Hold Cycle

NOTE: For a detailed explanation of the ROAST & HOLD mode, refer to the Instructions Manual as outlined under SETTING THE OVEN FOR ROAST & HOLD and ROAST & HOLD OPERATION.

In ROAST & HOLD mode, the operation of the computer control is identical to the normal Cook Cycle with these exceptions:

1. Oven ROAST & HOLD light on the control comes ON.
2. Convection fan speed changes from High to Low.
 - A. The computer control 5VDC output from pins C2-2 (-) and C2-8 (+) is de-activated and SSR1 relay is de-energized.
 - 1) Power (120VAC) is removed from convection fan motor high speed terminal.
 - B. The computer control 5VDC output from pins C2-1 (-) and C2-8 (+) is activated and SSR2 relay is energized.
 - 1) Power (120VAC) is applied to the convection fan motor low speed terminal.

3. At the end of the ROAST time, the electronic beeper sounds momentarily to indicate the end of first stage cooking (oven operates normally at the temperature and time selected until time expires).
4. The display flashes HOLD as the oven enters HOLD mode. This is also considered second stage cooking (oven heating stops but product continues to cook on residual heat).
 - A. Convection fan motor is de-energized.
5. After the oven temperature drops below 150°F, the heat comes back ON and cycles as needed, to maintain the HOLD temperature of 150°F.
 - A. Convection fan motor energized.
6. The oven continues to cycle in this manner until one of the following occurs:
 - A. The ROAST & HOLD mode is turned OFF.
 - B. Power switch (S1) is turned to the OFF or OVEN COOL position.

Oven Cool Cycle (Computer Control Model)

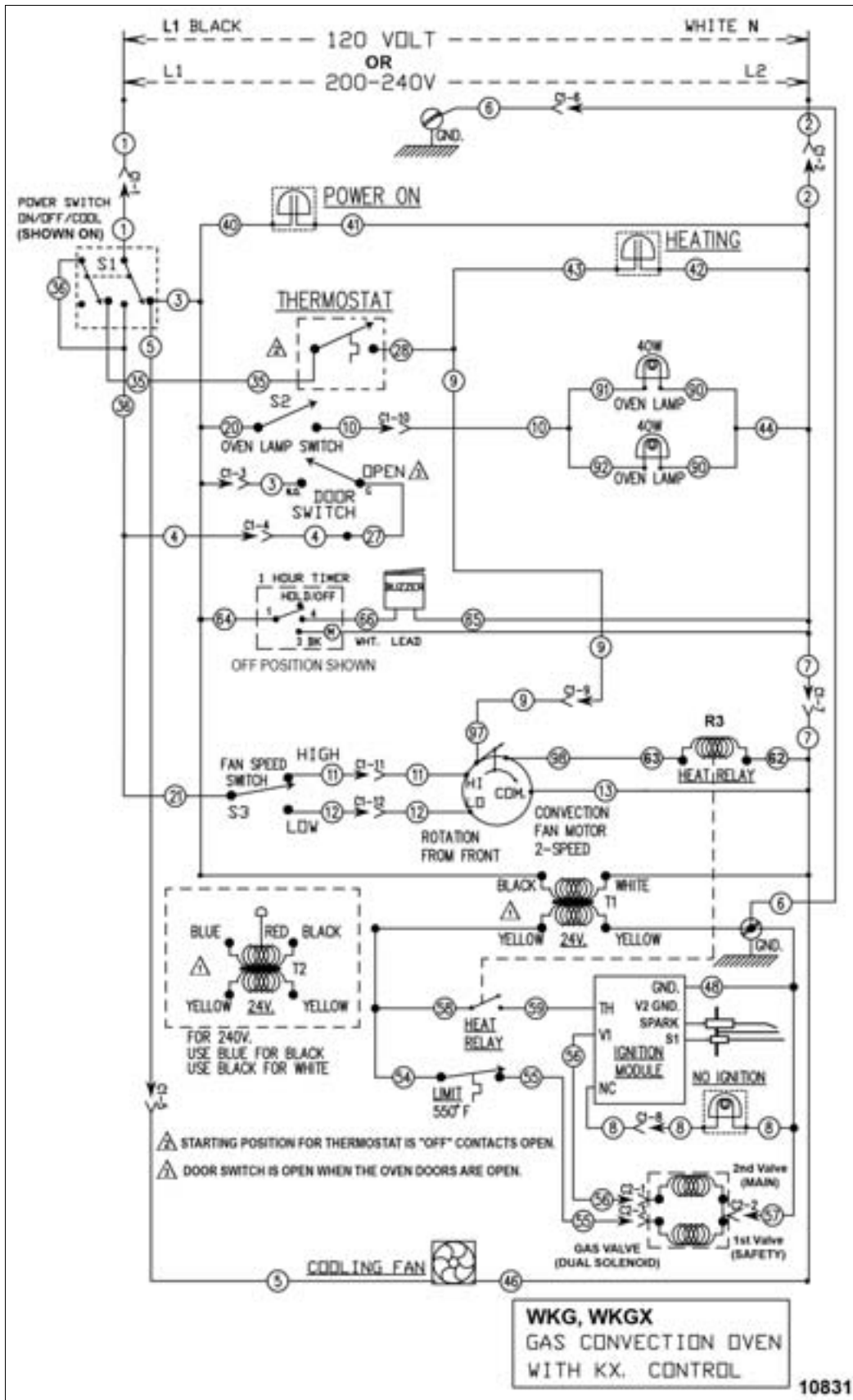
1. Conditions.
 - A. Oven is ON.
 - B. Oven cavity temperature needs to be lowered.
 - C. Doors are open.
 - 1) Door switch contacts OPEN.
 - D. Power switch (S1) set to either ON or OFF.
2. Power Switch (S1) turned to OVEN COOL.

NOTE: With door switch contacts OPEN (doors open), the convection fan motor will still run and continue to cool the oven.

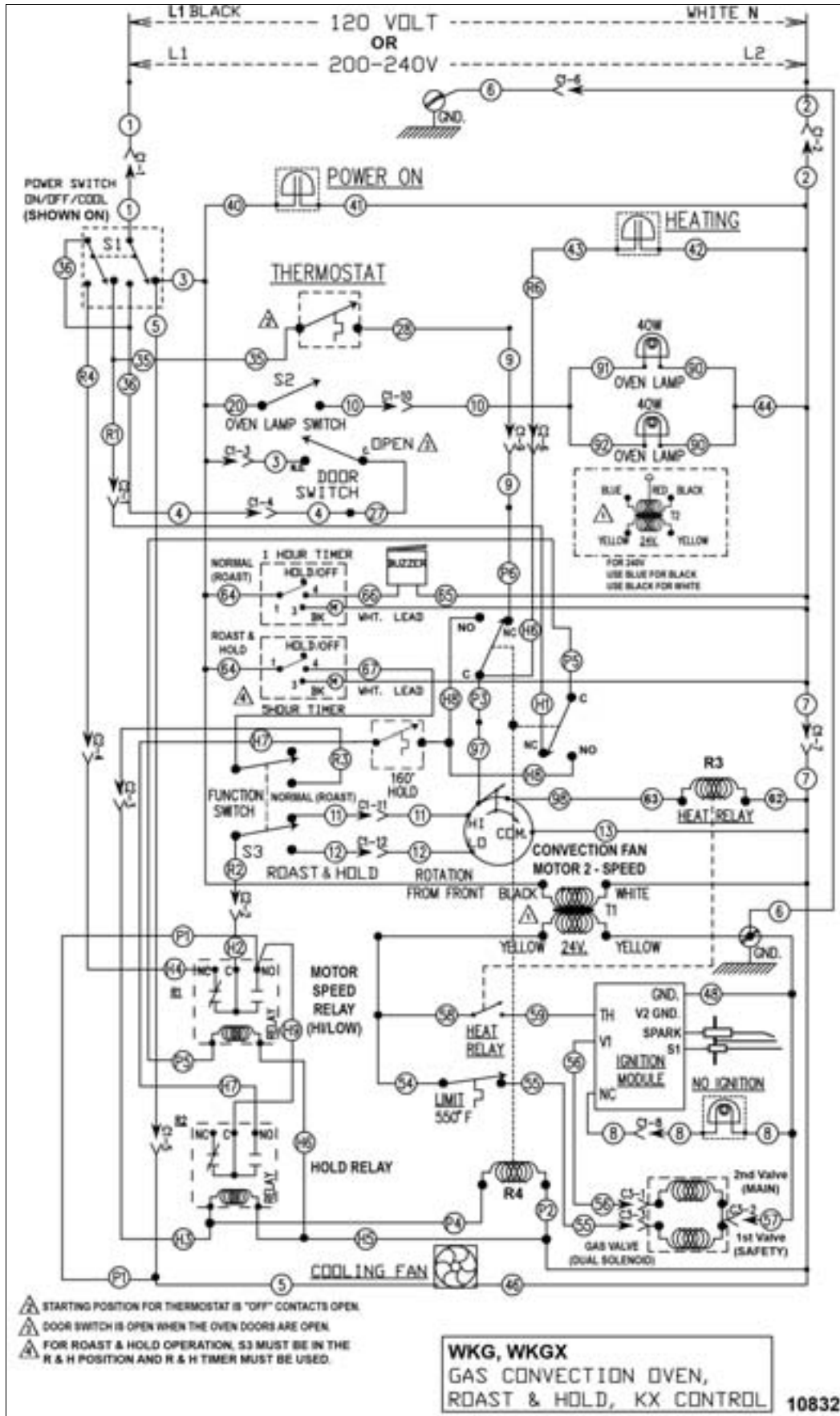
 - A. Power is connected through power switch (S1) to the convection fan motor high speed terminal.
 - 1) Convection fan motor energized.
 - 2) When Convection fan motor reaches operating speed the centrifugal switch on the motor closes but no power is available for connection to other components.
 - 3) The oven will continue to operate in OVEN COOL mode until the power switch (S1) is turned to the OFF or ON position.

SCHEMATICS

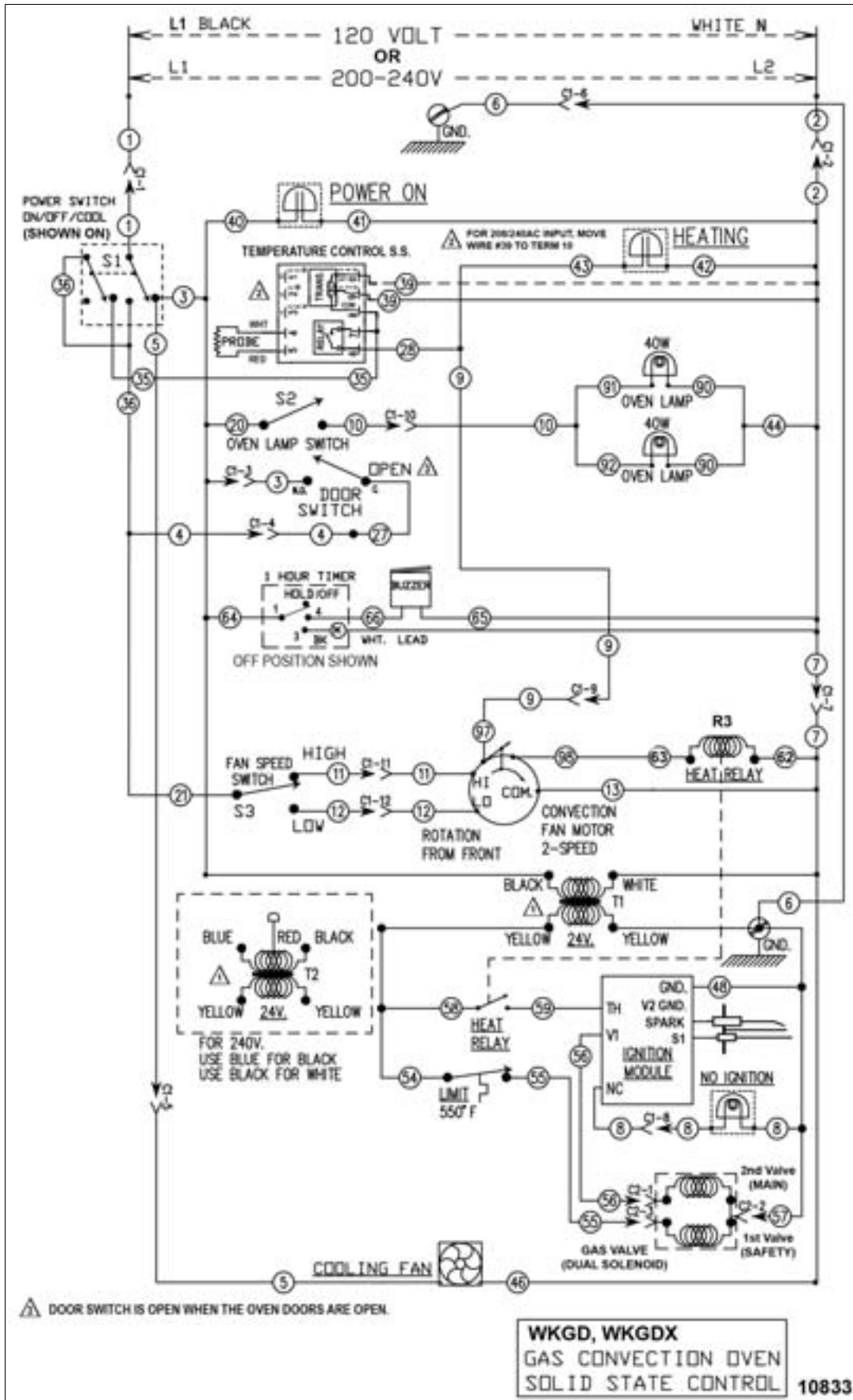
WKG, WKGX Mechanical (KX) Controls



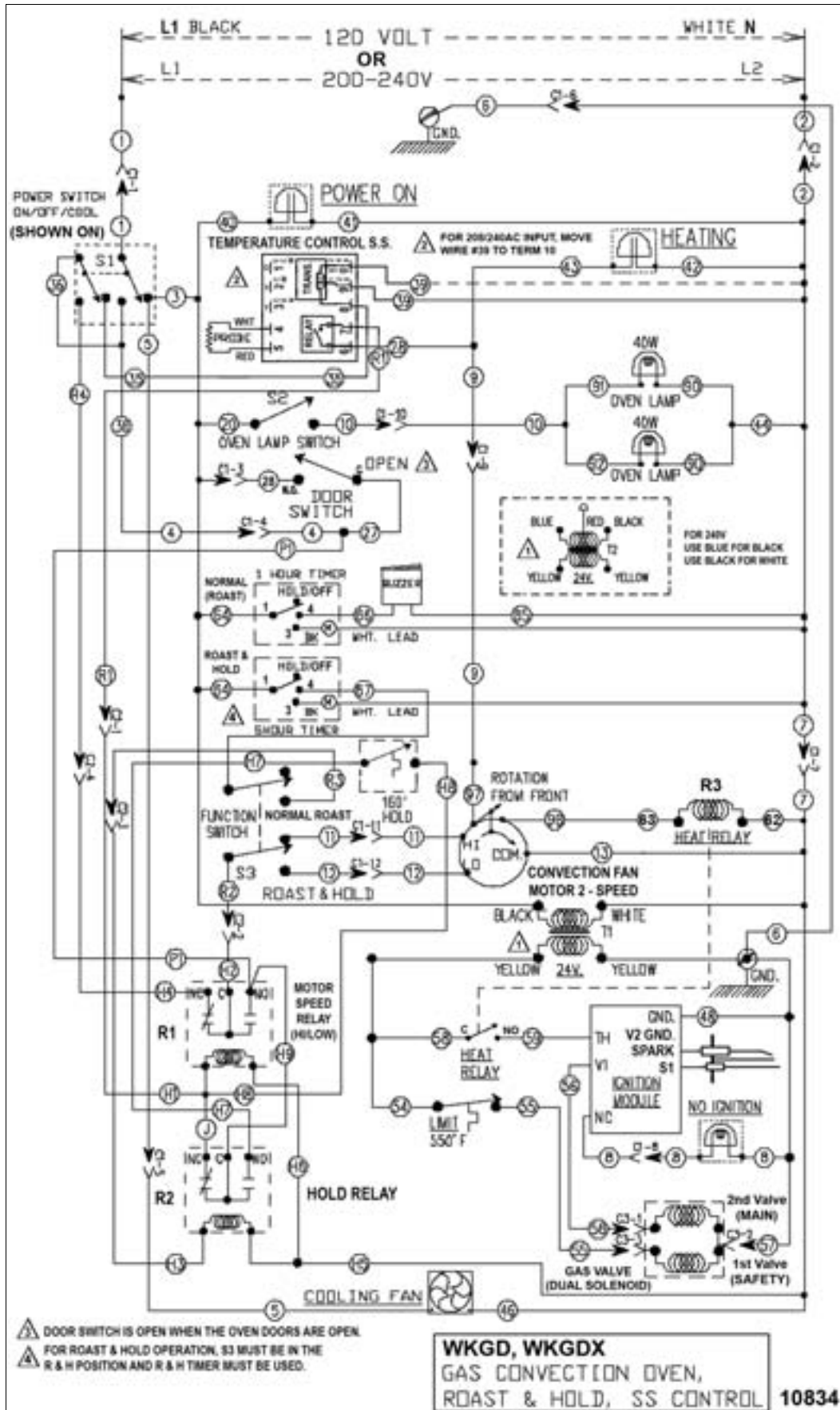
WKG, WKGX Mechanical (KX) Controls, Roast & Hold Option



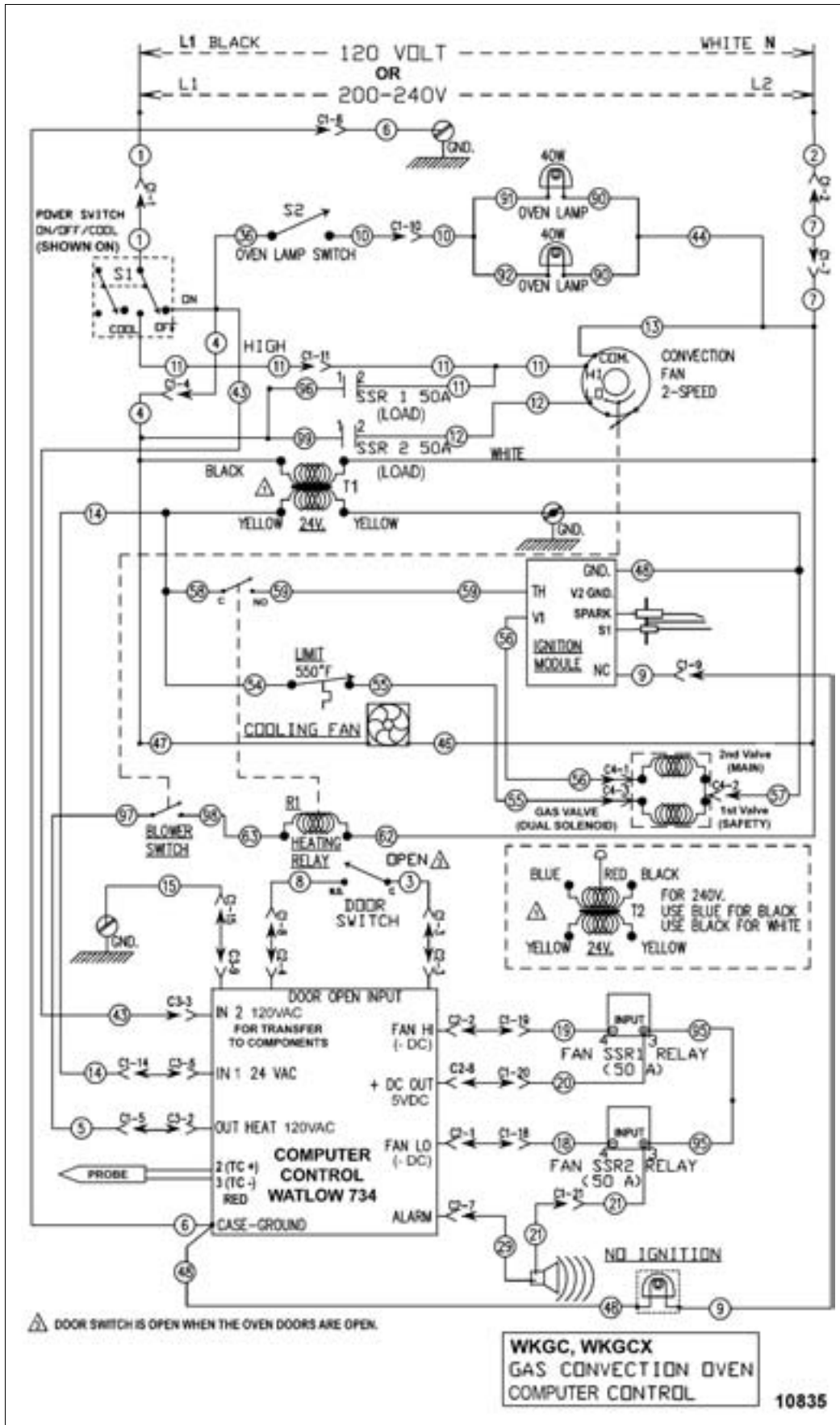
WKGD, WKGD_X Solid State Temperature Control



WKGD, WKGDx Solid State Temperature Control, Roast & Hold Option



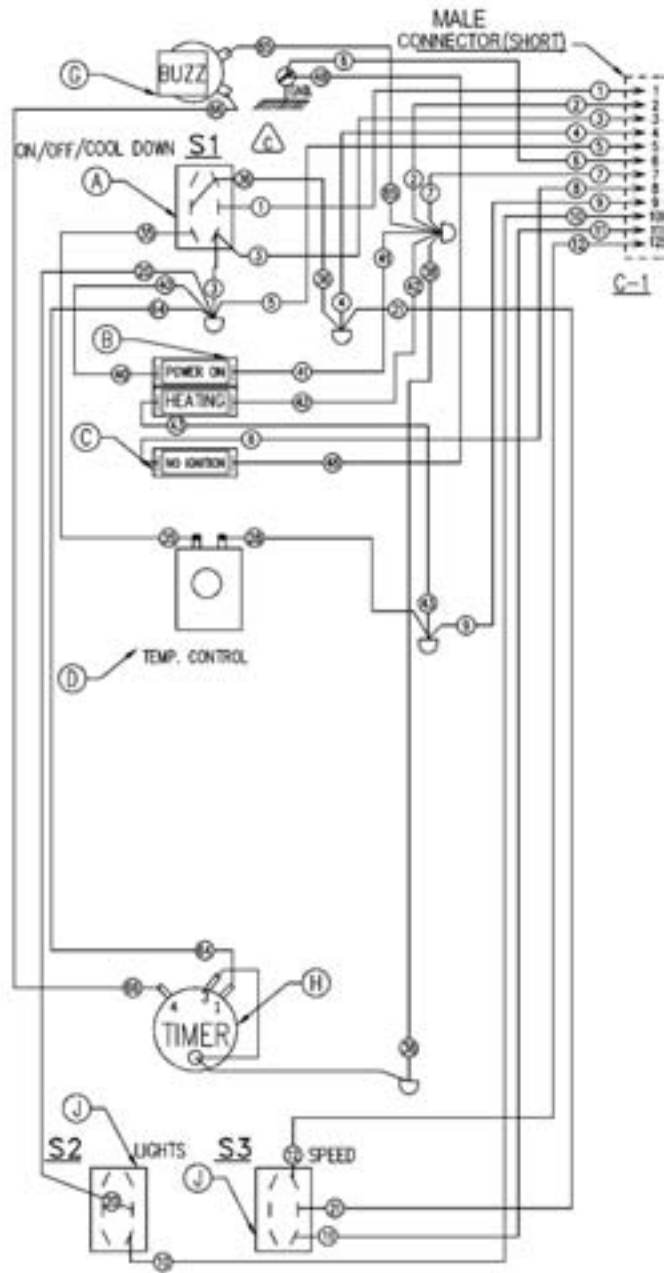
WKGC, WKGCX Computer Control (Roast & Hold Standard)

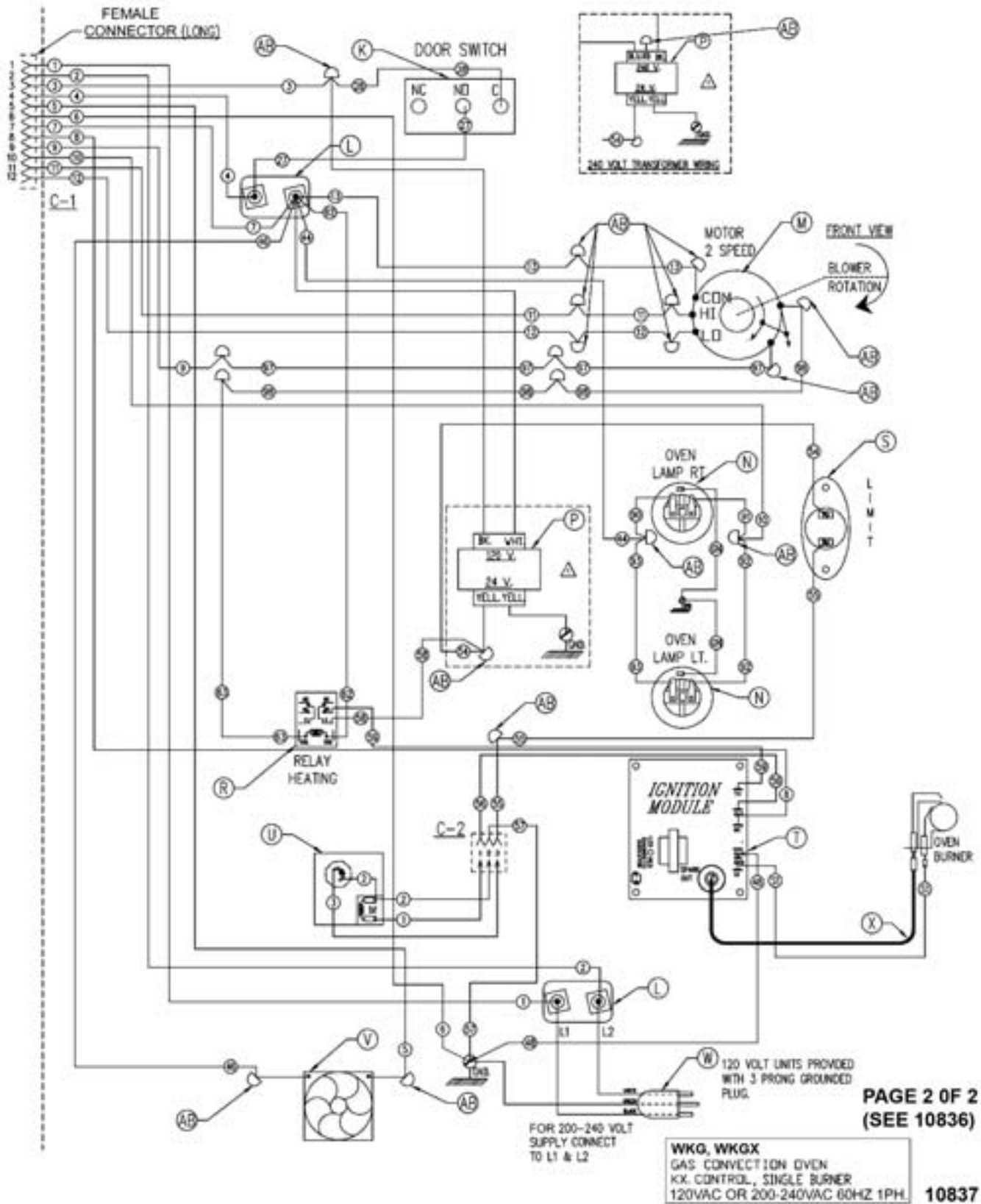


WIRING DIAGRAMS

WKG, WKGX Mechanical (KX) Controls

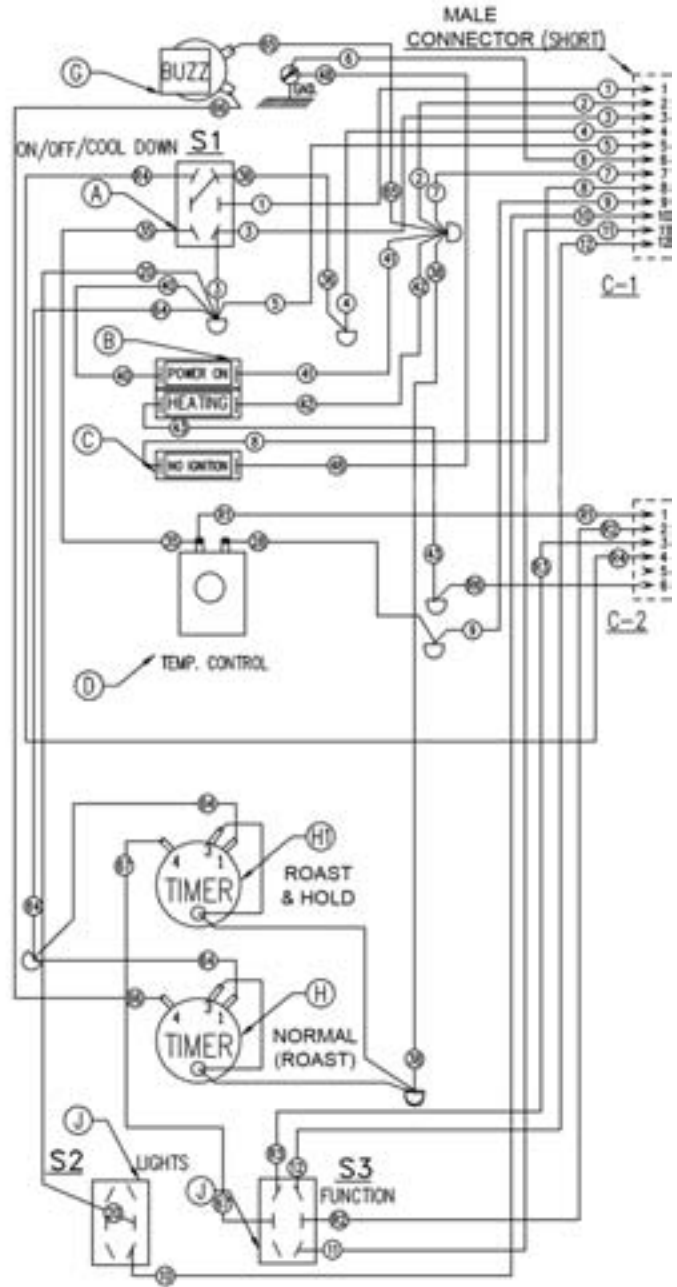
18	AD	WIRE NUT BLUE	-
-	AA	WIRE NUT YELLOW	-
1	X	WIRE, SPARK SPNT. 36"	-
1	W	CORR SET 120V. UNITS ONLY	-
1	V	FAN, COOLING	120 VOLT 200-240 V.
1	U	COMBINATION VALVE	NAT. GAS L.P. GAS
1	T	CONTROL, SPARK IGNITION	-
1	S	LIMIT CONTROL 550F	-
1	R	RELAY, HEATING (DPDT)	120 VOLT 200-240 V.
1	P	TRANSFORMER 24V. OUT	120 VOLT 200-240 V.
2	N	LAMP ASSEMBLY	120 VOLT 200-240 V.
1	M	MOTOR 2 SPEED G.E.	120 VOLT 200-240 V.
2	L	BLOCK/PORCELAIN ASSEMBLY	-
1	K	SWITCH, LIMIT (GOOD)	-
2	J	SWITCH, TOGGLE S.P.S.T	-
1	H	TIMER - 1 HOUR	120 VOLT 200-240V. 60HZ 200-240V. 50HZ
1	G	BUZZER	120 VOLT 200-240 V.
1	E	LIGHT, INDICATOR RED 250V	-
1	D	THERMOSTAT KX	-
1	C	LIGHT, INDICATOR "NO IGNITION" 28V.	-
1	B	LIGHT "HEAT-POWER ON"	120 VOLT 200-240 V.
1	A	SWITCH, TOGGLE S.P.S.T CENTER OFF	-
ING.	R.	DESCRIPTION	PKL

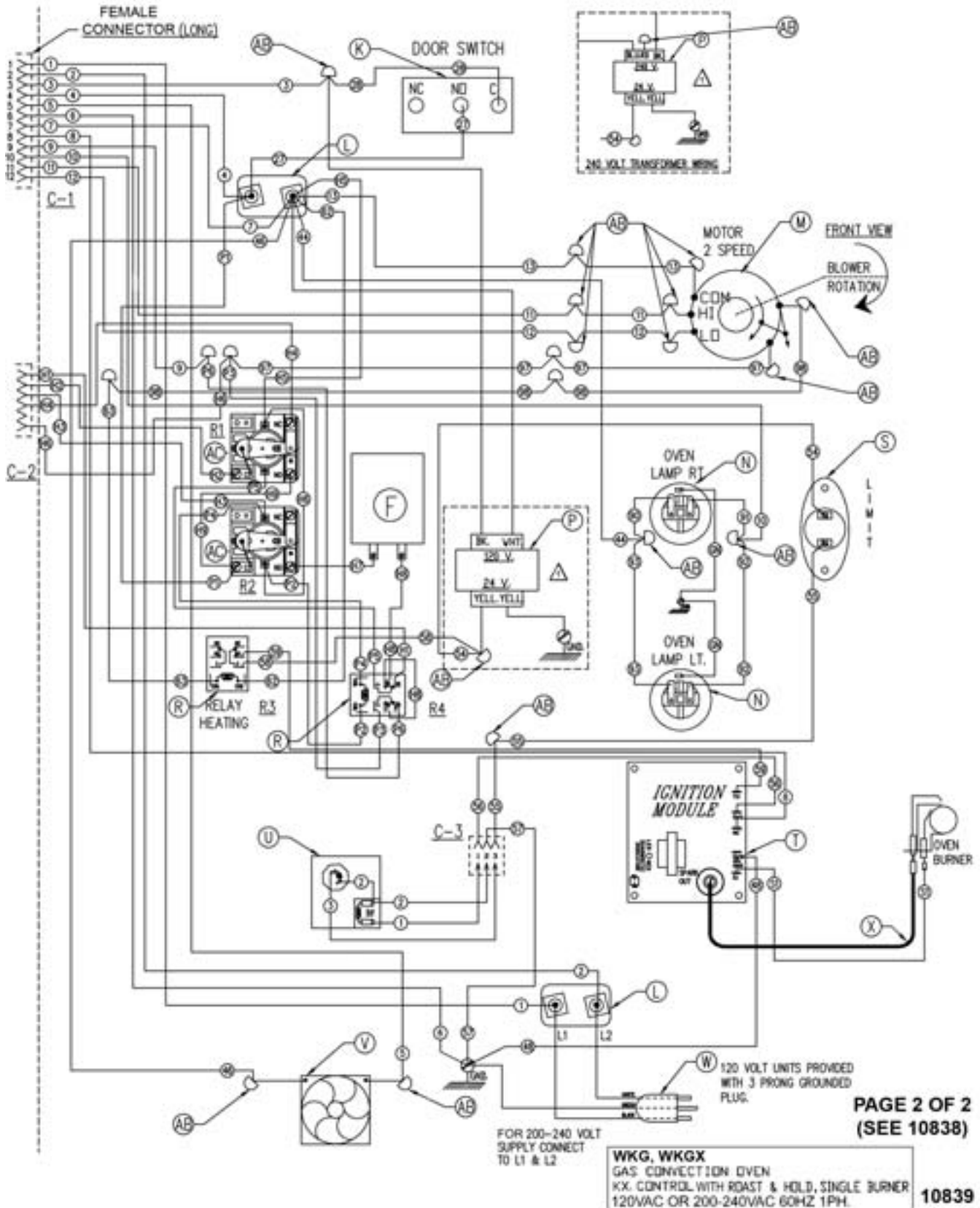




WKG, WKGX Mechanical (KX) Controls, Roast & Hold Option

2	AC	RELAY, SPOT (T1 - R1 MOTOR (H/LOW)) (T1 - R2 HOLD)	120 VOLT 200 -240 V.
5B	AB	WIRE NUT	-
-	AA	WIRE NUT YELLOW	-
1	X	WIRE, SPARK IGNIT. 36"	-
1	W	CORD SET 120V. UNITS ONLY	-
1	V	FAN COOLING	120 VOLT 200 -240 V.
1	U	COMBINATION VALVE	NAT. GAS L.P. GAS
1	T	CONTROL, SPARK IGNITION	-
1	S	LIMIT CONTROL 550"	-
2	R	RELAY, CPOT (R3 & R4)	120 VOLT 200 -240 V.
1	P	TRANSFORMER 24V. OUT	120 VOLT 200 -240 V.
2	N	LAMP ASSEMBLY	120 VOLT 200 -240 V.
1	M	MOTOR 2 SPEED G.E.	120 VOLT 200 -240 V.
2	L	BLOCK/PORCELAIN ASSEMBLY	-
1	K	SWITCH, LIMIT (3000)	-
2	J	SWITCH, TOGGLE S.P.S.T	-
1	HG	TIMER - 5 HOUR	120 VOLT 200-240V, 60HZ 200-240V, 50HZ
1	H	TIMER - 1 HOUR	120 VOLT 200-240V, 60HZ 200-240V, 50HZ
1	G	BUZZER	120 VOLT 200 -240 V.
1	F	THERMISTAT 160 F HOLD	-
1	E	LIGHT INDICATOR RED 250V	-
1	D	THERMISTAT KI	-
1	C	LIGHT INDICATOR "NO IGNITION" 25V	-
1	B	LIGHT "HEAT" POWER ON	120 VOLT 200 -240 V.
1	A	SWITCH, TOGGLE S.P.S.T CONT OFF	-
200	PK	DESCRIPTION	PK

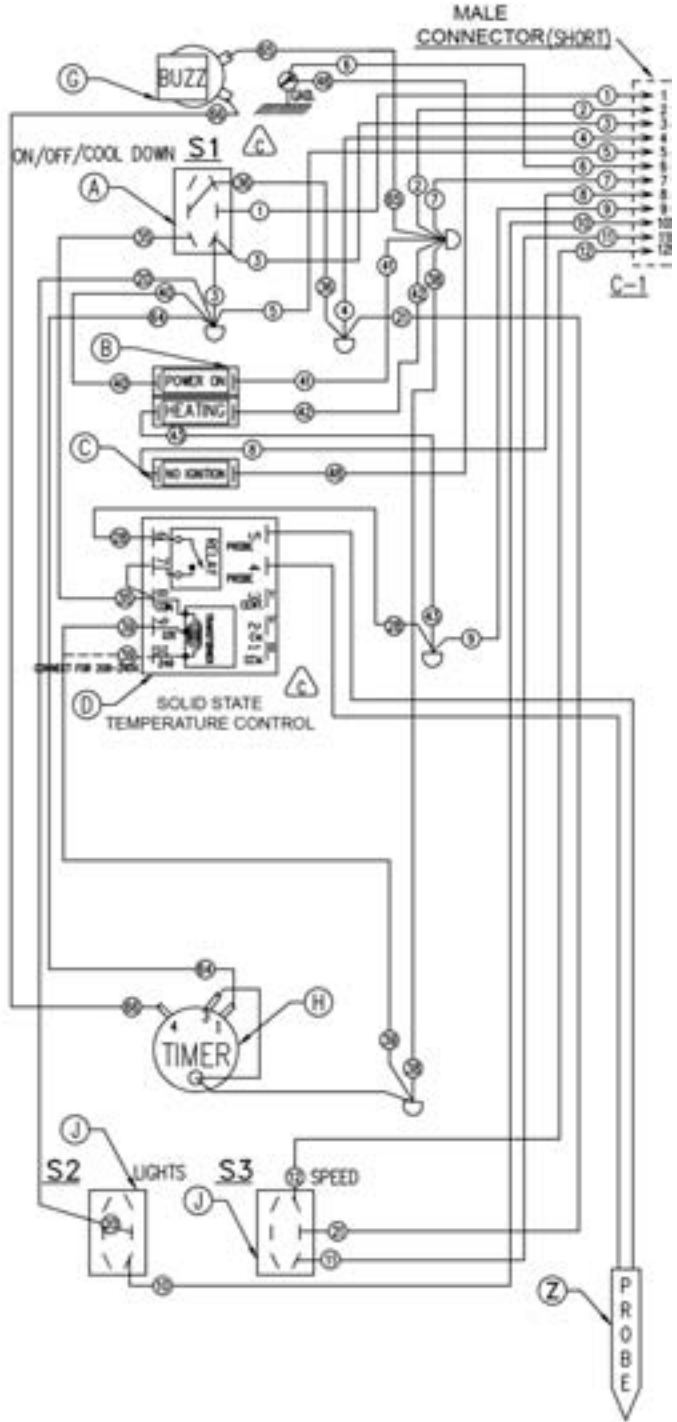


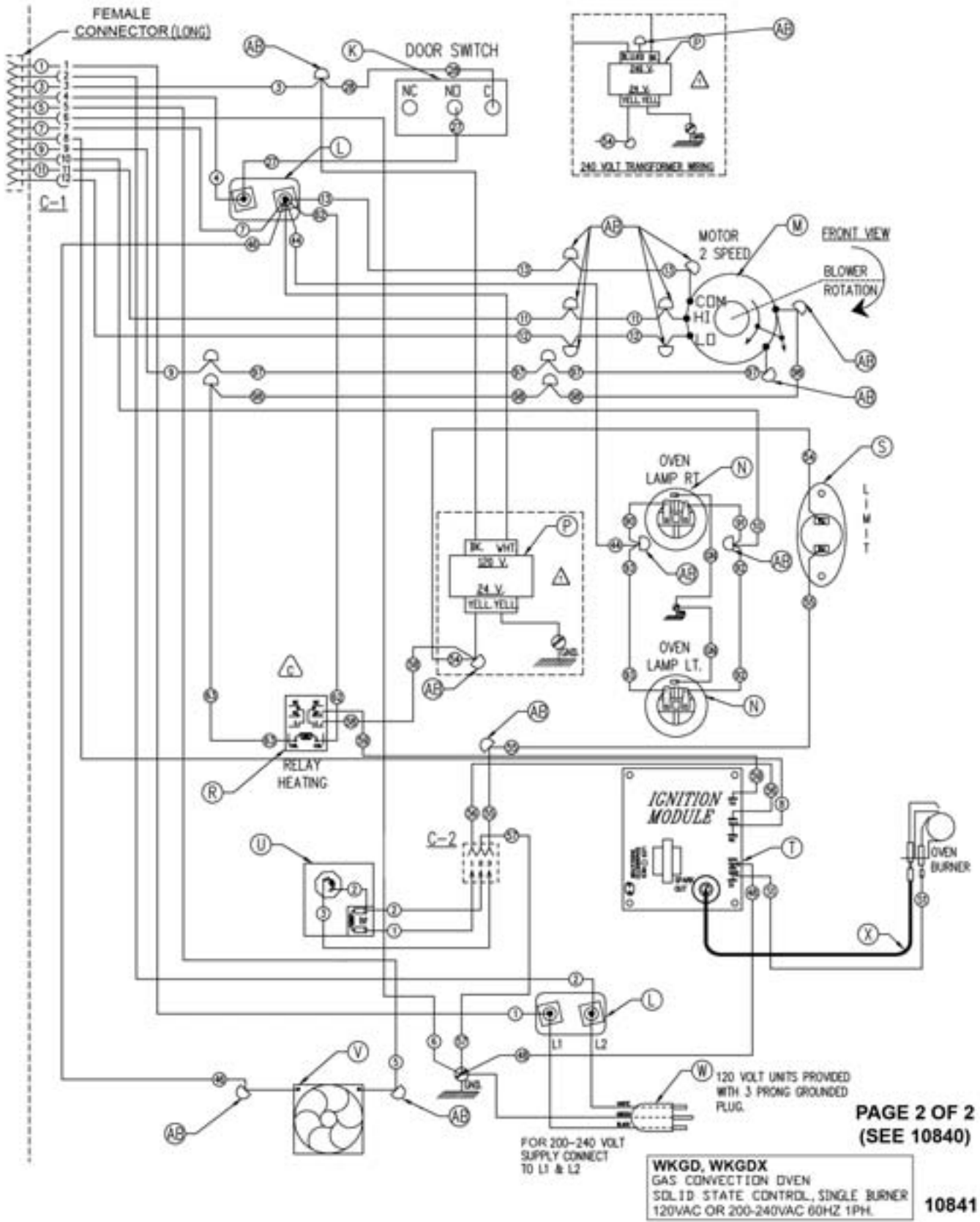


PAGE 2 OF 2
(SEE 10838)

WKGD, WKGDx Solid State Temperature Control

18	AB	WIRE NUT BLUE	-
-	AA	WIRE NUT YELLOW	-
1	Z	PROBE, THERMISTOR	-
1	X	WIRE, SPARK 32KIT. 36"	-
1	W	CORD SET 120V. UNITS ONLY	-
1	V	FAN, COOLING	120 VOLT 200 -240 V.
1	U	COMBINATION VALVE	NAT. GAS L.P. GAS
1	T	CONTROL, SPARK IGNITION	-
1	S	LIMIT CONTROL 550F	-
1	R	RELAY, HEATING (SPDT)	120 VOLT 200 -240 V.
1	P	TRANSFORMER 24V. OUT	120 VOLT 200 -240 V.
2	N	LAMP ASSEMBLY	120 VOLT 200 -240 V.
1	M	MOTOR 2 SPEED G.E.	120 VOLT 200 -240 V.
2	L	BLOCK/PORCELAIN ASSEMBLY	-
1	K	SWITCH, LIMIT (GOOD)	-
2	J	SWITCH, TOGGLE 3P.3T	-
1	H	TIMER - 1 HOUR	120 VOLT 200-240V. 60HZ 200-240V. 50HZ
1	G	BUZZER	120 VOLT 200 -240 V.
1	E	LIGHT,INDCATOR RED 250V	-
1	D	TEMPERATURE CONTROL S.S. G-5	-
1	C	LIGHT,INDCATOR "NO IGNITION" 28V.	-
1	B	LIGHT HEAT-POWER ON	120 VOLT 200 -240 V.
1	A	SWITCH, TOGGLE 3P.3T CENT.OFF	-
184	18	DESCRIPTION	PK.



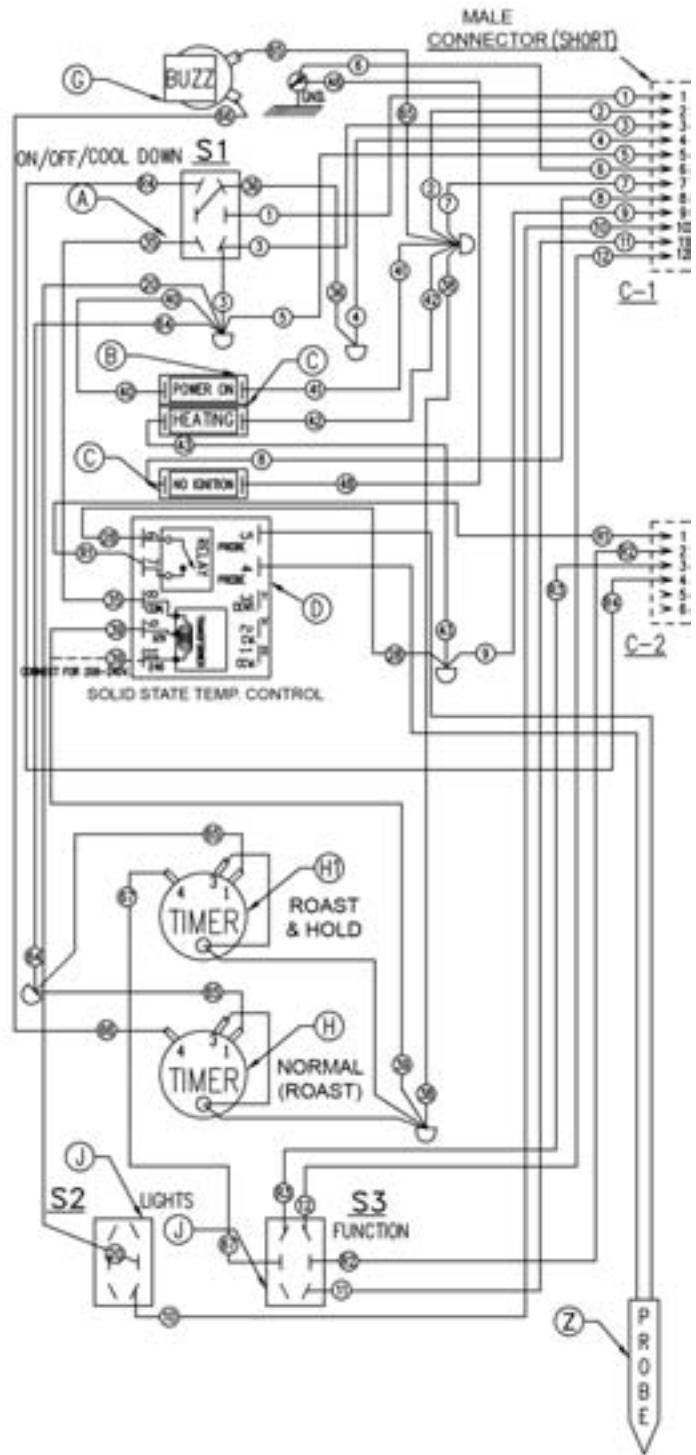


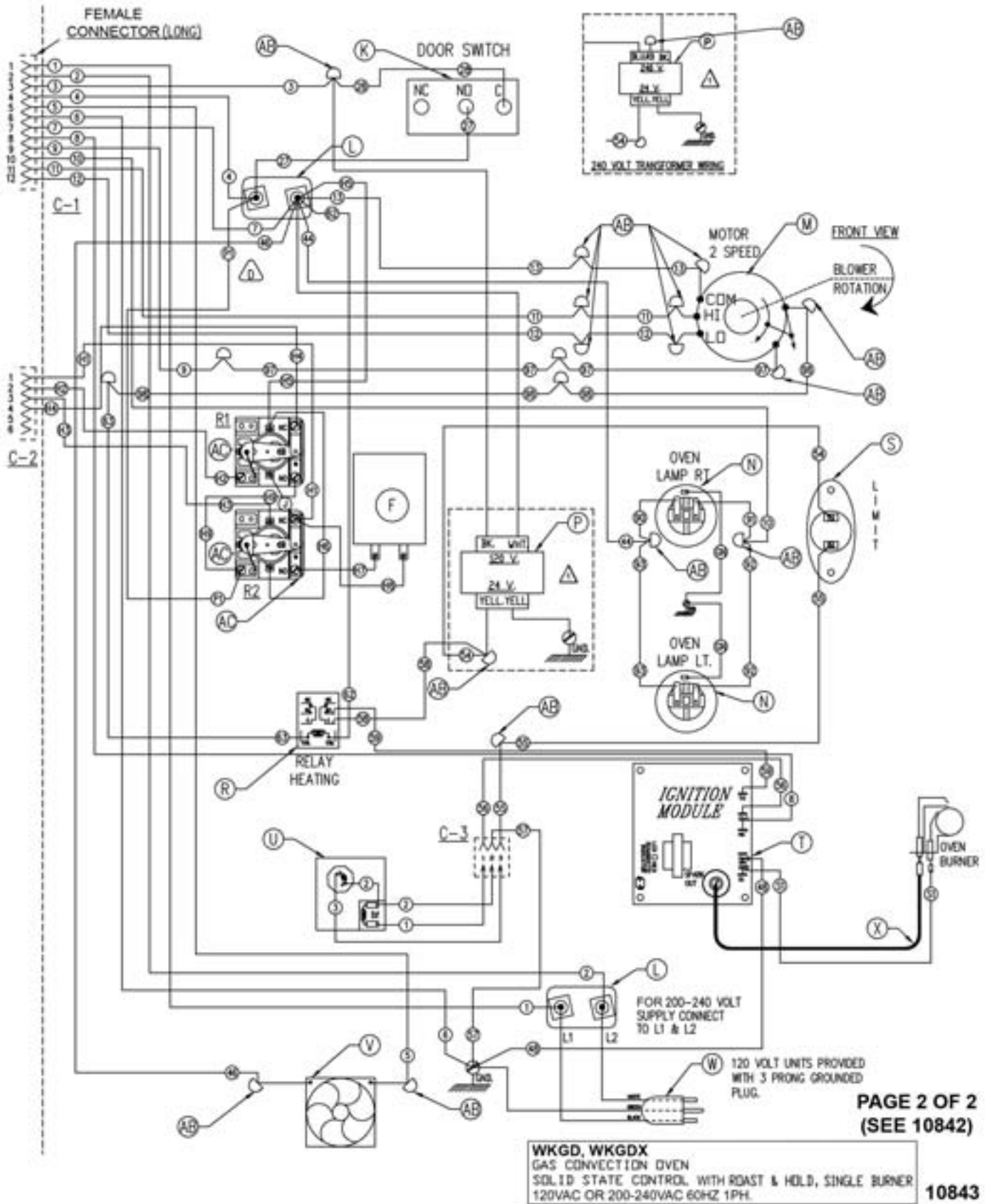
WKGD, WKGDGX
GAS CONVECTION OVEN
SOLID STATE CONTROL, SINGLE BURNER
120VAC OR 200-240VAC 60HZ 1PH.

10841

WKGD, WKGDx Solid State Temperature Control, Roast & Hold Option

2	AC	RELAY, SPST. (T1 - R1 MOTOR (HI/LOW)) (T1 - R2 HOLD)	120 VOLT 200 -240 V.
38	AB	WIRE NUT	-
-	AA	WIRE NUT YELLOW	-
1	Z	PROBE, THERMISTOR	-
1	X	WIRE, SPARK IGNIT. 36"	-
1	W	CORD SET 120V. UNITS ONLY	-
1	V	FAN, COOLING	120 VOLT 200 -240 V.
1	U	COMBINATION VALVE	NAT. GAS L.P. GAS
1	T	CONTROL, SPARK IGNITION	-
1	S	LIMIT CONTROL 550F	-
1	R	RELAY, HEATING, DPDT	120 VOLT 200 -240 V.
1	P	TRANSFORMER 24V. OUT	120 VOLT 200 -240 V.
2	N	LAMP ASSEMBLY	120 VOLT 200 -240 V.
1	M	MOTOR 2 SPEED GE.	120 VOLT 200 -240 V.
2	L	BLOCK/PORCELAIN ASSEMBLY	-
1	K	SWITCH, LIMIT (CORD)	-
2	J	SWITCH, TOGGLE DPST	-
1	HI	TIMER - 5 HOUR	120 VOLT 200-240V. 60HZ 200-240V. 50HZ
1	H	TIMER - 1 HOUR	120 VOLT 200-240V. 60HZ 200-240V. 50HZ
1	G	BUZZER	120 VOLT 200 -240 V.
1	F	THERMOSTAT, HOLD 160 F.	-
1	E	LIGHT, INDICATOR RED 250V	-
1	D	TEMPERATURE CONTROL, S.S. G-5	-
1	C	LIGHT, INDICATOR "NO IGNITION" 28V	-
1	B	LIGHT "HEAT-POWER ON"	120 VOLT 200 -240 V.
1	A	SWITCH, TOGGLE, DPST CENT/OFF	-
200	AC	DESCRIPTION	PK

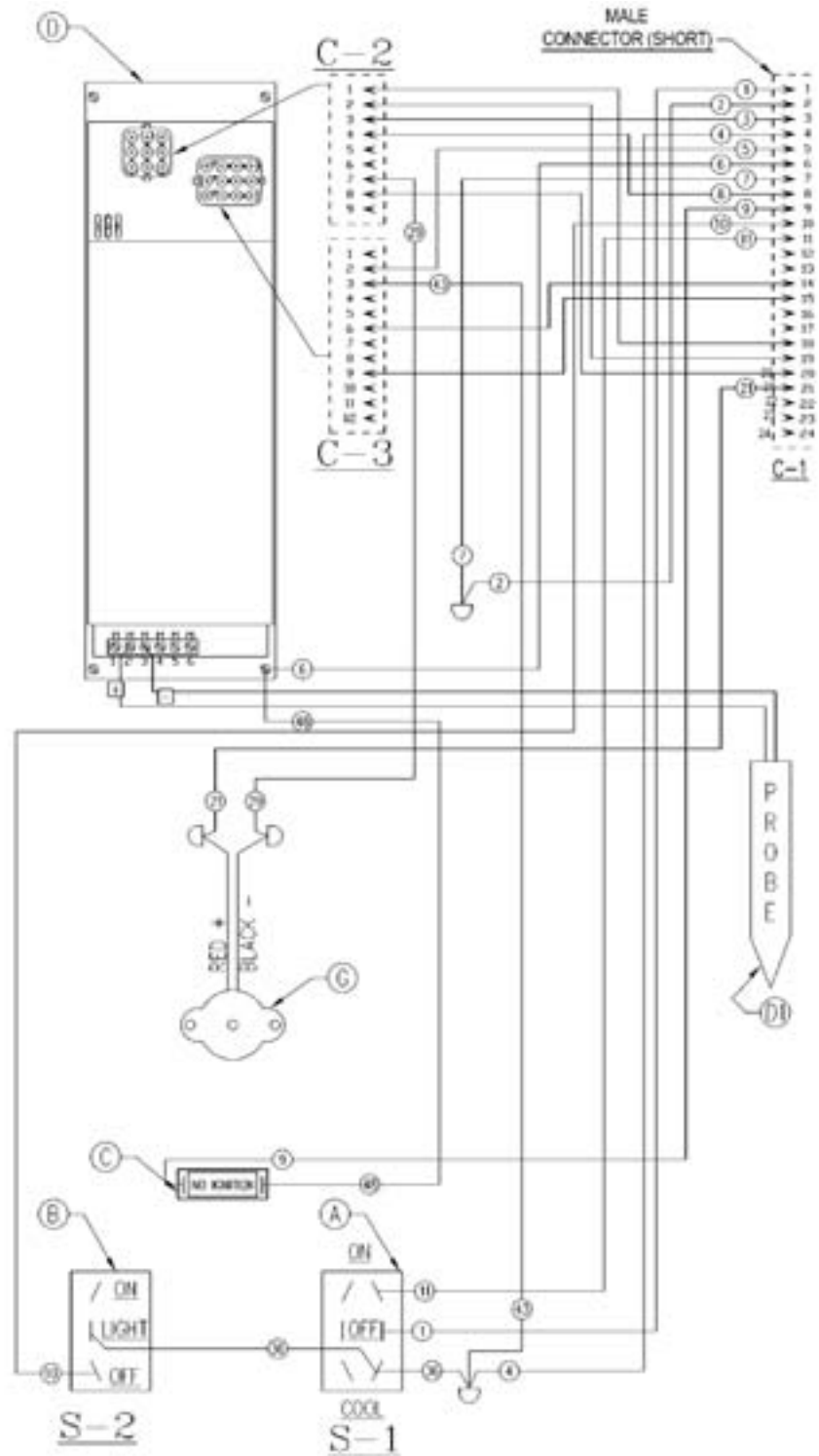


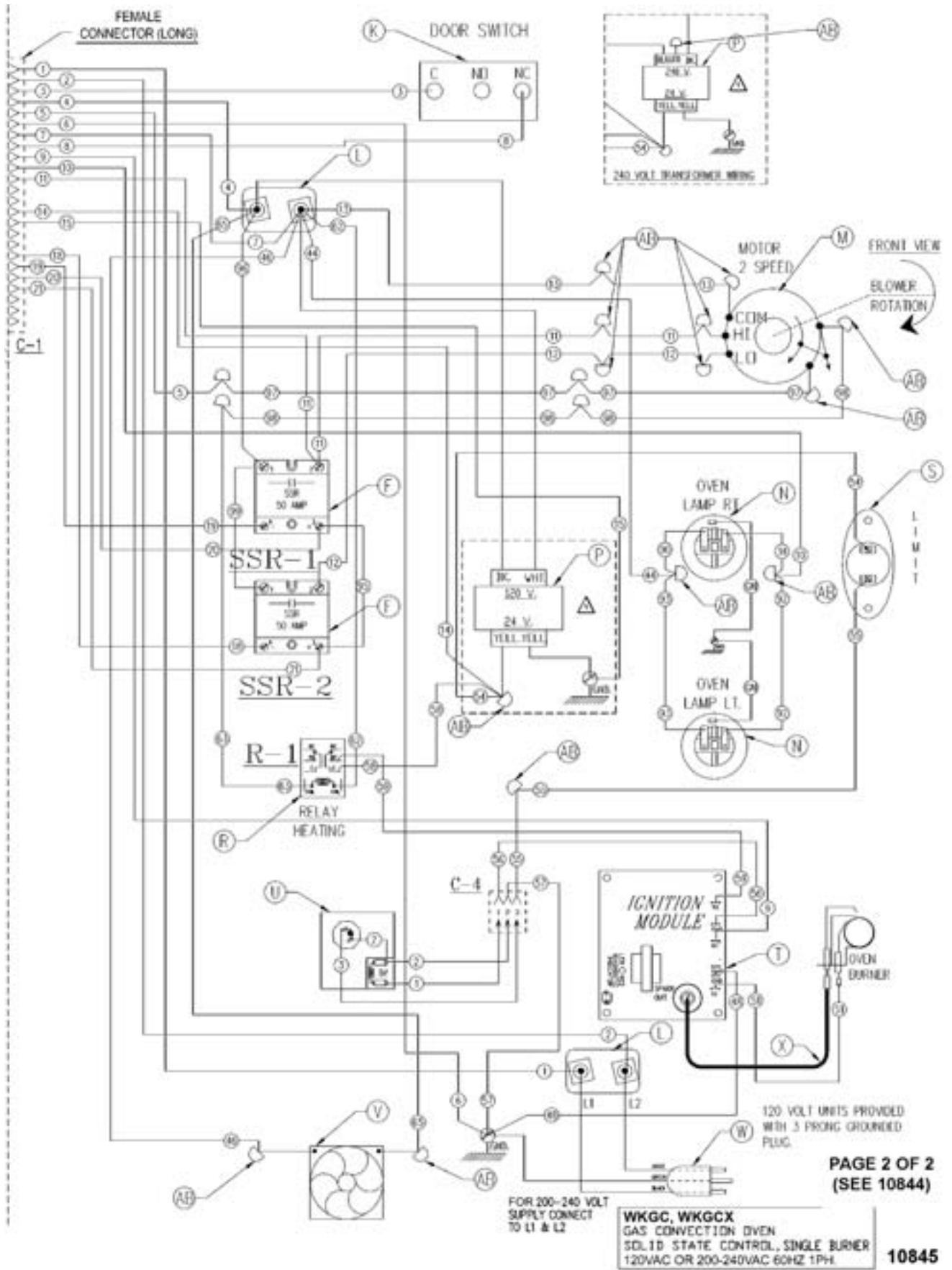


PAGE 2 OF 2
(SEE 10842)

WKGC, WKGCX Computer Control (Roast & Hold Standard)

BB	AB	WIRE NUT BLUE
-	AA	WIRE NUT YELLOW
1	X	WIRE, SPARK 32MT. 4P
1	V	CORD SET 50V. UNITS ONLY
1	V	FAN, COOLING 120 VOL. 1 200 -240 V
1	U	COMBINATION VALVE NAT. GAS L.P. GAS
1	I	CONTROL, SPARK IGNITION
1	S	LIMIT CONTROL 550F
1	R	RELAY, HEATING 120 VOL. 1 (DPDT) 200 -240 V
1	P	TRANSFORMER 120 VOL. 1 24V. OUT 200 -240 V
2	N	LAMP ASSEMBLY 120 VOL. 1 200 -240 V
1	M	MOTOR 2 SPEED GE. 120 VOL. 1 200 -240 V
2	L	BLOCK/PORCELAIN ASSEMBLY
1	K	SWITCH, LIMIT (DOOR)
1	G	ALARM, 12V. DC. EXTERNAL
2	F	RELAY, SOLID STATE 50A
1	E	LIGHT INDICATOR RED 250V
1	BE	THERMOCOUPLE PROBE
1	D	CONTROLLER WATLOW 734
1	C	LIGHT INDICATOR "NO IGNITION" 28V.
1	B	SWITCH, OVEN LIGHT
1	A	SWITCH, MAIN POWER DP:BT CONTROL
NO.	IT	DESCRIPTION





TROUBLESHOOTING

WARNING: CERTAIN PROCEDURES IN THIS SECTION REQUIRE ELECTRICAL TEST OR MEASUREMENTS WHILE POWER IS APPLIED TO THE MACHINE. EXERCISE EXTREME CAUTION AT ALL TIMES. IF TEST POINTS ARE NOT EASILY ACCESSIBLE, DISCONNECT POWER AND FOLLOW LOCKOUT/TAGOUT PROCEDURES, ATTACH TEST EQUIPMENT AND REAPPLY POWER TO TEST.

ALL MODELS

SYMPTOMS	POSSIBLE CAUSES
Blower motor doesn't run with 1S in OVEN COOL position.	<ol style="list-style-type: none"> 1. Line voltage. 2. Power switch (S1) malfunction. 3. Switch (S3) malfunction. 4. Interconnecting wiring malfunction. 5. Motor inoperable.
Blower motor doesn't run in ON position. OVEN COOL functions OK.	<ol style="list-style-type: none"> 1. Door switch malfunction. 2. Power switch contacts inoperative. 3. Interconnecting wiring malfunction.
Blower motor doesn't run in OVEN COOL position. Runs OK in ON position.	<ol style="list-style-type: none"> 1. Power switch malfunction. 2. Interconnecting wiring malfunction.
Gas does not ignite; No spark; No Ignition Light ON.	<ol style="list-style-type: none"> 1. Shorted electrode on ignitor/flame sense. 2. Ignitor cable (high voltage) OPEN. 3. Heat relay (R3) malfunction. 4. Transformer (T1) inoperative. 5. High limit thermostat open. 6. Interconnecting wiring malfunction. 7. Ignition Module malfunction.
Sparks but gas does not ignite.	<ol style="list-style-type: none"> 1. Gas solenoid valve OFF or inoperative. 2. Manual gas valve CLOSED. 3. Gas supply OFF or Insufficient gas pressure. 4. Interconnecting wiring malfunction. 5. Ignition Module malfunction.
Gas ignites but will not maintain flame.	<ol style="list-style-type: none"> 1. Igniter lead connections malfunction. 2. Ignitor ground inoperative. 3. Ignitor/flame sense malfunction. 4. Insufficient gas pressure. 5. Snorkel vent plugged, obstructed or missing. 6. Incorrect polarity from transformer (T1) to Ignition module.
Excessive or low heat.	<ol style="list-style-type: none"> 1. Temperature probe malfunction on models WKGD, WKGDx. (Thermostat malfunction on models WKG, WKGx) 2. Temperature control board malfunction. 3. Gas pressure Insufficient. 4. Gas orifice plugged or obstructed.
Mechanical Timer inoperative or not functioning properly.	<ol style="list-style-type: none"> 1. Interconnecting wiring malfunction. 2. Line voltage incorrect. 3. Timer malfunction.

FULL SIZE GAS CONVECTION OVENS - TROUBLESHOOTING

SYMPTOMS	POSSIBLE CAUSES
Normal (Roast) mode OK, no Hold mode. (Roast & Hold models only).	<ol style="list-style-type: none"> 1. Roast and Hold switch (S3) malfunction. 2. R2 hold relay malfunction. 3. Roast & Hold timer malfunction. 4. Interconnecting wiring malfunction.
Component cooling Fan does not run.	<ol style="list-style-type: none"> 1. Motor inoperable. 2. Interconnecting wiring malfunction.
Uneven Cooking.	<ol style="list-style-type: none"> 1. Convection Fan motor speed/direction. 2. Poor combustion. <ul style="list-style-type: none"> A. Gas pressure incorrect. B. Exhaust vent plugged or obstructed. C. Snorkel Vent plugged or obstructed. 3. Air flow Baffles missing or damaged.
Intermittent problems.	<ol style="list-style-type: none"> 1. High ambient temperatures. 2. Wiring connections loose. 3. Cooling fan malfunction.
No power to temperature control.	<ol style="list-style-type: none"> 1. Power switch (S1) in OVEN COOL. 2. Door or door switch open.

COMPUTER CONTROL MODELS ONLY

SYMPTOM	POSSIBLE CAUSES
Oven does not heat.	<ol style="list-style-type: none"> 1. High limit switch open. 2. Probe malfunction. 3. Control malfunction.
High limit thermostat shutting off gas burner.	<ol style="list-style-type: none"> 1. Probe malfunction. 2. Control malfunction.
Oven not hot enough.	<ol style="list-style-type: none"> 1. Probe malfunction. 2. Control range high (rH1) setting to low. See SETUP MODE under COMPUTER CONTROL (WKGC, WKGCX). 3. Control malfunction.

Error Codes

In the display window, the error code will alternate between the code and the oven cavity temperature or dashes if the oven is calling for heat (heat light on). When the condition causing the error is resolved, normal oven operation can resume.

NOTE: To check a SETUP PARAMETER and its corresponding DATA VALUE, see SETUP MODE under COMPUTER CONTROL (WKGC/WKGCX).

NOTE: If the cause of the error is not apparent, check for these conditions as they may also cause errors to occur: Electrical noise or a noise event, excess environmental moisture or temperature, or vibration.

CODE & PROBLEM	PROBABLE CAUSE	SOLUTION
Er01 - ROM checksum error	Internal ROM malfunction	Cycle power
Er02 - RAM checksum error	Internal RAM malfunction	Cycle power
Er03 - Ambient sensor error	Ambient temperature is below 32°F	Check ambient temperature at the control.
Er04 - Configuration error	Microprocessor malfunction	Cycle power
Er05 - EEprom error	Power loss while storing data	Cycle power

FULL SIZE GAS CONVECTION OVENS - CONDENSED SPARE PARTS LIST

CODE & PROBLEM	PROBABLE CAUSE	SOLUTION
Er06 - Zone 1 A/D underflow error	<ul style="list-style-type: none"> • Incorrect sensor type • Measuring temperature outside the sensor range 	<ul style="list-style-type: none"> • Check the InP1 setup parameter. Verify it matches your sensor. • Check sensor and connections for a reversed or open sensor. If the condition causing the error is resolved, the error will clear.
Er07 - Zone 1 A/D overflow error	Open sensor	<ul style="list-style-type: none"> • Check the InP1 setup parameter. Verify it matches your sensor. • Check sensor and connections for a reversed or open sensor. If the condition causing the error is resolved, the error will clear.
Er10 - Stack overflow error	Microprocessor malfunction	<ul style="list-style-type: none"> • Cycle power. • Check sensor and connections for a reversed or open sensor.
Er11 - Open sensor error	Open sensor	<ul style="list-style-type: none"> • Check the InP1 setup parameter. Verify it matches your sensor. • Check sensor and connections for a reversed or open sensor.
Er12 - Shorted sensor	<ul style="list-style-type: none"> • Incorrect sensor type • Measuring temperature outside the sensor range 	<ul style="list-style-type: none"> • Check the InP1 setup parameter. Verify it matches your sensor. • Check sensor and connections for a reversed or open sensor.

CONDENSED SPARE PARTS LIST

WKG SERIES	
Part No.	Description
340324-8	Main Power Switch (On/Off/Oven Cool)
411506-3	Thermostat, KX (WKG, WKGX)
353613-2	Temperature Control Board (WKGD, WKGDX)
353589-1	Temperature Probe (WKGD, WKGDX)
411496-F1	Door Switch
497269-1	Gas Valve, Natural
497269-2	Gas Valve, Propane
427137-2	Ignition Module
416535-6	Heat Relay
346357-1	High Limit Thermostat
424194-1	Igniter/Flame Sensor
411690-1	Timer - 60 Minute
340324-9	Light Switch, Roast & Hold or Fan Speed
358516-1	Blower Motor, 2Sp. 120 Volt
424846-1	Computer Control (WKGX, WKGDX)
920883-3	Temperature Probe (WKGX, WKGDX)
821875-2	SST Relay (WKGD, WKGDX)
421758-G1	Transformer